



BRILLIANCE<sup>®</sup>  
**LED**  
A HIGHER LIGHT FORM<sup>®</sup>

PRODUCT REFERENCE GUIDE **2018**





# BRILLIANCE LED<sup>®</sup>

is passionate about leading the landscape lighting industry into a fully energy efficient LED market with the highest quality products at the most cost effective prices. We strive to provide honest and exemplary customer service to our international network of distributors. At the forefront of all that we do is the mission of **preserving our planet through sustainable goals.**

Here at Brilliance LED, we value **respect, faith and humility.** We seek to offer the finest craftsmanship, tooling, quality control, warranties, in-house engineering, contractor tech support and customer service. Every day we go to work looking for ways to make your job easier.

Whether you are in commercial or residential markets, we are your one stop manufacturer for high-performance landscape retrofit lamps. We are eager to meet and exceed our customers' needs; whether you are a distributor, contractor, or homeowner we are here for you.

From the entire Brilliance LED Family, **thank you** for your loyalty and support.

Brilliance LED lamps are patented under D735369, D735370, D735371, D735372, D735373.

Brilliance LED® is a registered trademark.

“A Higher Light Form®” is a registered trademark of Brilliance LED.

© 2018 Brilliance LED®, LLC. All Rights Reserved.

Product images are for illustration purposes only. Actual products may vary. All products, product specifications and data are subject to change without notice to improve reliability, function, design or otherwise.

Front cover photograph courtesy of Red River Lights, LLC

# TABLE OF CONTENTS

<b>LOW VOLTAGE</b>	MICRO G-4	1
	MICRO T-5	2
	BEACON G-4	3
	BEACON T-5	4
	BEACON SCB	5
	BEACON DCB	6
	BEACON S8	7
	G-4 ECOSTAR	8
	G-4 RECTANGLE WAFER	9
	G-4 ROUND WAFER	10
	MR-8	11
	MR-11	12
	AR-11	13
	MR-16 ECOSTAR	14
	MR-16 PREMIUM	15
	MR-16 EDGE	16
	PAR-36	17
	LIGHT BAR	18
	STRIP LIGHT	19
	STRIP LIGHT ACCESSORIES	20
	AQUABEAM	21
ADJUSTABLE AQUABEAM	22	
<b>LINE VOLTAGE</b>	S-14 EDGE FILAMENT (LOW & LINE)	23
	CANDELABRA EDGE FILAMENT (LOW & LINE)	24
	A-19 EDGE FILAMENT	25
	S-21 EDGE FILAMENT	26
	PAR-20	27
	PAR-30	28
	PAR-38	29
	GU-10 EDGE	30
	PAR-16 EDGE	31
	G-9 EDGE	32
	BRILLIANCE LED DIMMER	33
	LOW VOLTAGE ZONE CONTROL	34
	TRANSFORMER	35
	Photometrics	36
	Volt Amps	40
	UPC Index	41
	Warranty	44
Contact	45	

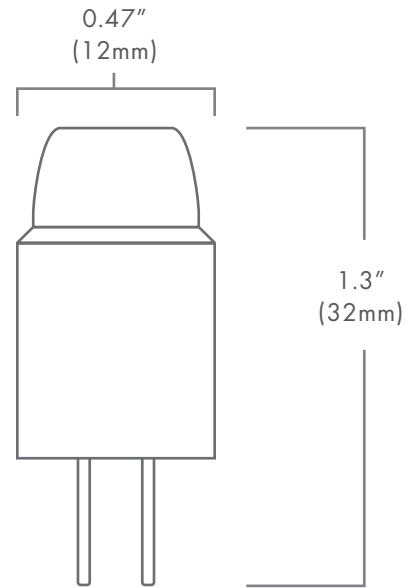
# MICRO G-4

## DESCRIPTION:

The Brilliance LED Micro G-4 Bipin is a sub-compact LED that utilizes Samsung's chipset and also features Brilliance LED's multi-directional beam pattern. This Micro G-4 bipin is energy efficient and water resistant. Designed specifically for landscape retrofit, ideal for pathway lighting fixtures and step lights.

## FEATURES:

- New ceramic technology
- Dimmable with most magnetic transformers



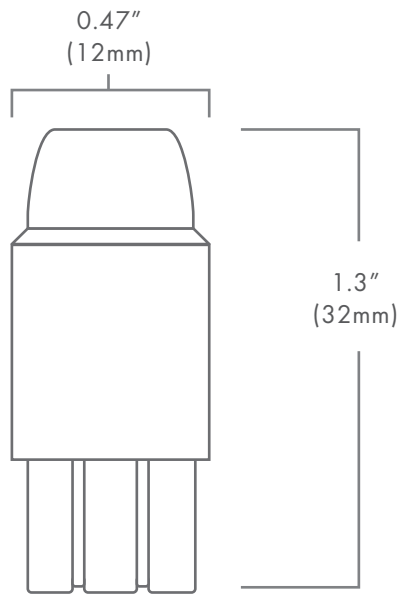
PART NUMBER: BRI MICRO G4 XXXX

2700  
3000  
5700  
RED  
GREEN  
BLUE  
AMBER

KELVIN/COLOR

Wattage	1.2
Lumens	100
Kelvin Temperature	2700, 3000, 5700 Red, Green, Blue, Amber
Operating Range	10-14V AC
Input Voltage	12 VAC/DC
Replaces	10W Halogen
CRI	85
IP	65
Chipset	Samsung
Lamp Life (hours)	35,000
Warranty (years)	3





PART NUMBER: BRI MICRO T5



## DESCRIPTION:

The Brilliance LED Micro T-5 Wedge is a sub-compact LED that utilizes Samsung's chipset and also features Brilliance LED's multi-directional beam pattern. This Micro T-5 Wedge is energy efficient and water resistant. Designed specifically for landscape retrofit, ideal for pathway lighting fixtures and step lights.

## FEATURES:

- New ceramic technology
- Dimmable with most magnetic transformers

Wattage	1.2
Lumens	100
Kelvin Temperature	2700
Operating Range	10-14V AC
Input Voltage	12 VAC/DC
Replaces	10W Halogen
CRI	85
IP	65
Chipset	Samsung
Lamp Life (hours)	35,000
Warranty (years)	3

# BEACON G-4

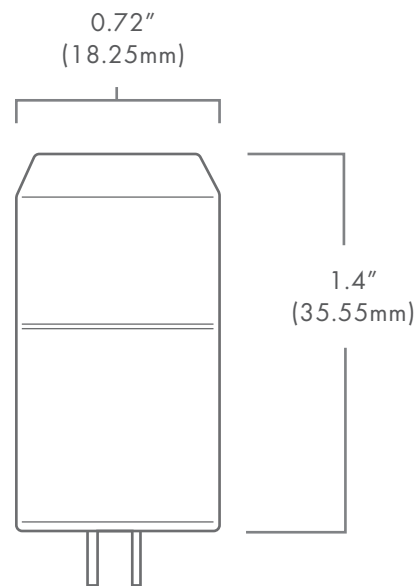
## DESCRIPTION:

The Brilliance LED Beacon G-4 Bipin is a sub-compact LED that utilizes the Epistar chipset and also features Brilliance LED's multi-directional beam pattern. This bipin is energy efficient and water resistant. Designed specifically for landscape retrofit application, ideal for pathway lighting fixtures and step lights.

## FEATURES:

- New ceramic technology
- Dimmable with most magnetic transformers

Wattage	2
Lumens	200
Beam Spread	Multi-directional
Kelvin Temperature	2700, 3000, 5700
Operating Range	8-25 VAC
Replaces	20W Halogen
CRI	84
IP	65
Chipset	Epistar
Lamp Life (hours)	35,000
Warranty (years)	5

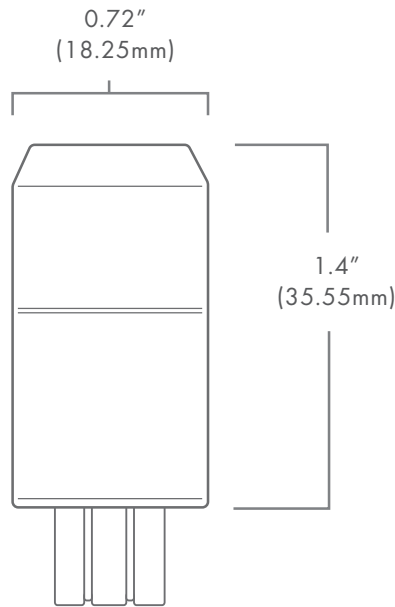


PART NUMBER: BRI BEACON G4 XXXX

2700	KELVIN TEMPERATURE
3000	
5700	







PART NUMBER: BRI BEACON T5 XXXX

2700	KELVIN TEMPERATURE
3000	
5700	



## DESCRIPTION:

The Brilliance LED Beacon T-5 Wedge is a sub-compact LED that utilizes the Epistar chipset and also features Brilliance LED's multi-directional beam pattern. This T-5 is energy efficient and water resistant. Designed specifically for landscape retrofit application, ideal for pathway lighting fixtures and step lights.

## FEATURES:

- New ceramic technology
- Dimmable with most magnetic transformers

Wattage	2
Lumens	200
Beam Spread	Multi-directional
Kelvin Temperature	2700, 3000, 5700
Operating Range	8-25 VAC
Replaces	20W Halogen
CRI	84
IP	65
Chipset	Epistar
Lamp Life (hours)	35,000
Warranty (years)	5

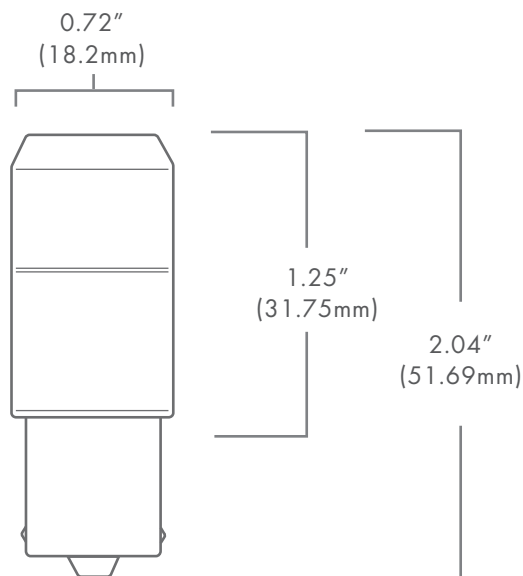
# BEACON SCB

## DESCRIPTION:

The Brilliance LED Beacon Single Contact Bayonet (SCB) is a subcompact LED that utilizes the Epistar chipset and also features Brilliance LED's multi-directional beam pattern. This SCB is energy efficient and water resistant. Designed specifically for landscape retrofit application, ideal for pathway lighting fixtures and step lights.

## FEATURES:

- New ceramic technology
- Dimmable with most magnetic transformers



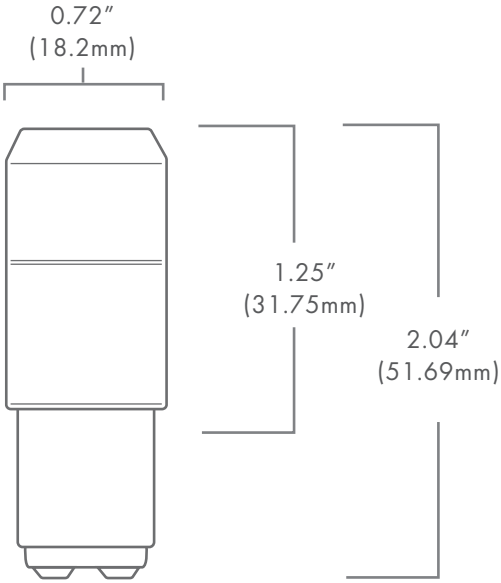
PART NUMBER: BRI BEACON SCB XXXX

2700  
3000  
5700

KELVIN TEMPERATURE

Wattage	2
Lumens	200
Beam Spread	Multi-directional
Kelvin Temperature	2700, 3000, 5700
Input Voltage	8-25 VAC
Replaces	20W Halogen
CRI	84
IP	65
Chipset	Epistar
Lamp Life (hours)	35,000
Warranty (years)	5





PART NUMBER: BRI BEACON DCB XXXX

2700	KELVIN TEMPERATURE
3000	
5700	



### DESCRIPTION:

The Brilliance LED Beacon Double Contact Bayonet (DCB) is a subcompact LED that utilizes the Epistar chipset and also features Brilliance LED's multi-directional beam pattern. This DCB is energy efficient and water resistant. Designed specifically for landscape retrofit application, ideal for pathway lighting fixtures, wall washing, and hanging fixtures.

### FEATURES:

- New ceramic technology
- Dimmable with most magnetic transformers

Wattage	2
Lumens	200
Beam Spread	Multi-directional
Kelvin Temperature	2700, 3000, 5700
Operating Range	8-25 VAC
Replaces	20W Halogen
CRI	84
IP	65
Chipset	Epistar
Lamp Life (hours)	35,000
Warranty (years)	5

# BEACON S8

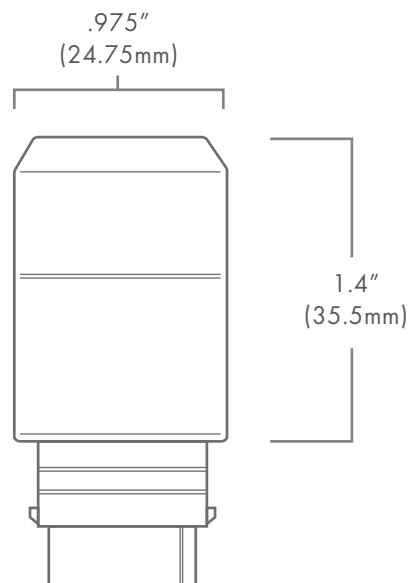
## DESCRIPTION:

The Brilliance LED Beacon S8 is a subcompact LED that utilizes the Epistar chipset and also features Brilliance LED's multi-directional beam pattern. This S8 is energy efficient and water resistant. Designed specifically for landscape retrofit application, ideal for pathway lighting fixtures and step lights.

## FEATURES:

- New ceramic technology
- Dimmable with most magnetic transformers

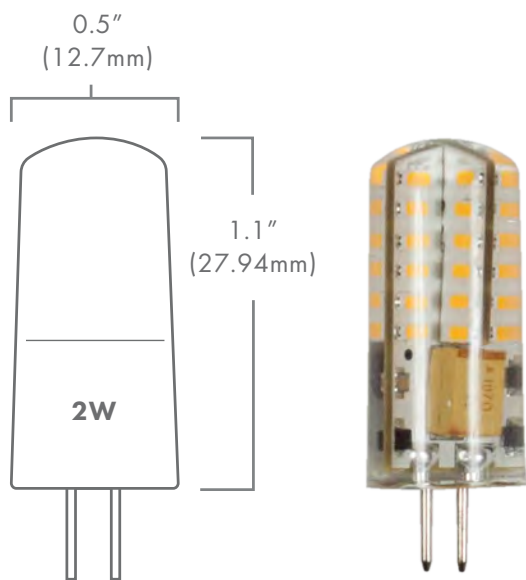
Wattage	2
Lumens	200
Beam Spread	Multi-directional
Kelvin Temperature	2700, 3000, 5700
Operating Range	8-25 VAC
Replaces	20W Halogen
CRI	84
IP	65
Chipset	Epistar
Lamp Life (hours)	35,000
Warranty (years)	5



PART NUMBER: BRI BEACON S8 XXXX

2700	KELVIN TEMPERATURE
3000	
5700	





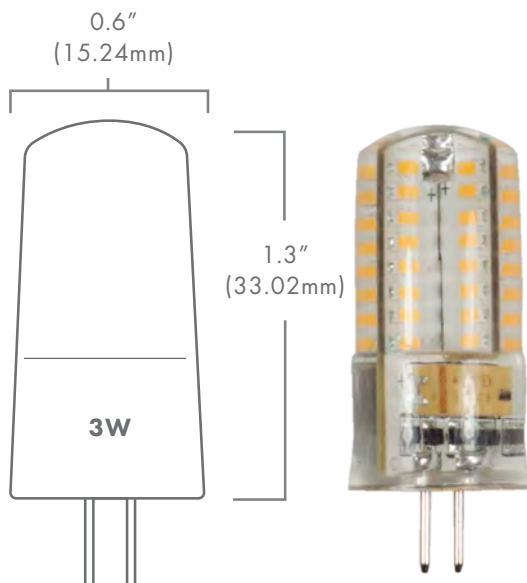
## DESCRIPTION:

The Brilliance LED G-4 EcoStar is a sub-compact LED that utilizes a multi-directional beam pattern. The G-4 EcoStar is energy efficient and water resistant. Designed specifically for landscape retrofit, ideal for pathway lighting fixtures, and step lights. Best suited for budget-conscious landscape lighting projects.

## FEATURES:

- Budget Conscious
- High CRI
- Dimmable with most magnetic transformers & the Brilliance LED Dimmer

PART NUMBER: BRI G4 ECO XX XXXX



Wattage	2 or 3
Lumens	150 or 240
Beam Spread	Multi-directional
Kelvin Temperature	2700, 3000
Operating Range	8-14 VAC
Replaces	10 or 20 Watt
CRI	95
IP	65
Chipset	Epistar
Lamp Life (hours)	25,000
Warranty (years)	3

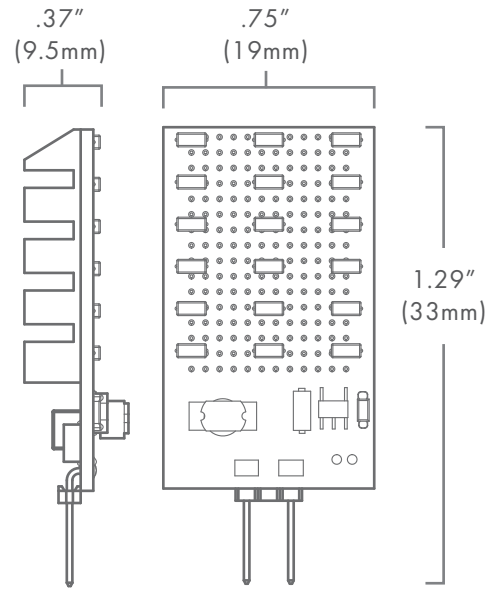
# G-4 RECTANGLE WAFER

## DESCRIPTION:

The G4 Bipin Rectangle Wafer is designed specifically for low voltage landscape lighting fixtures. This compact LED is energy efficient and produces a broad 180° light pattern.

## FEATURES:

- Dimmable with most magnetic transformers

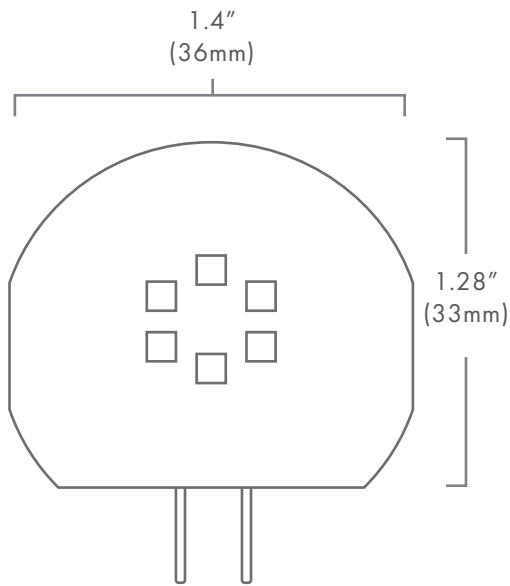


PART NUMBER: BIPIN G4 RECTANGLE WAFER

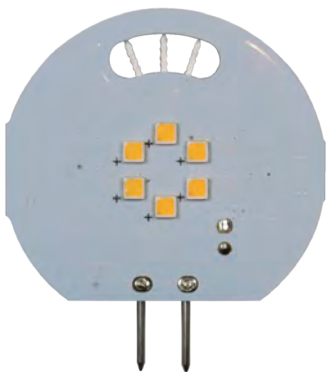
Wattage	2
Lumens	120
Beam Spread	180°
Kelvin Temperature	2700
Operating Range	8-18 VAC/DC
Replaces	25W Halogen
CRI	85
IP	60
Chipset	Samsung
Lamp Life (hours)	35,000
Warranty (years)	5



# G-4 ROUND WAFER



PART NUMBER: BIPIN G4 RND WAFER



## DESCRIPTION:

The G4 Bipin Round Wafer is designed specifically for low voltage pucks. This compact LED is energy efficient and produces a broad 180° light pattern.

## FEATURES:

- Dimmable with most magnetic transformers

Wattage	2
Lumens	120
Beam Spread	180°
Kelvin Temperature	2700
Operating Range	8-18 VAC/DC
Replaces	25W Halogen
CRI	85
IP	60
Chipset	Samsung
Lamp Life (hours)	35,000
Warranty (years)	5

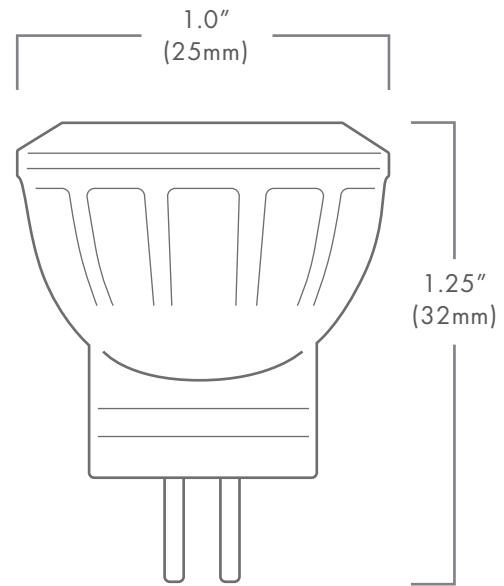
# MR-8

## DESCRIPTION:

The Brilliance LED MR-8 LED lamp has been redesigned to better fit into standard, low voltage, MR-8 fixtures. These LED's are thermally engineered to operate in enclosed fixtures and provide added security by automatically cooling down (and reducing lumens output) only when exposed to extreme heat (air temperatures above 125°F). In addition, there is no color shift when lumens output is reduced, and the overall lamp life is improved.

## FEATURES:

- Updated Gen 5 Earth Tone colored housing
- Dimmable with most magnetic transformers
- Enhanced ESD (Electro-Static Discharge) Protection (IEC-61000-4-2)
- Heat Overload Protection Technology
- Fully potted PC board
- UL & FCC compliant



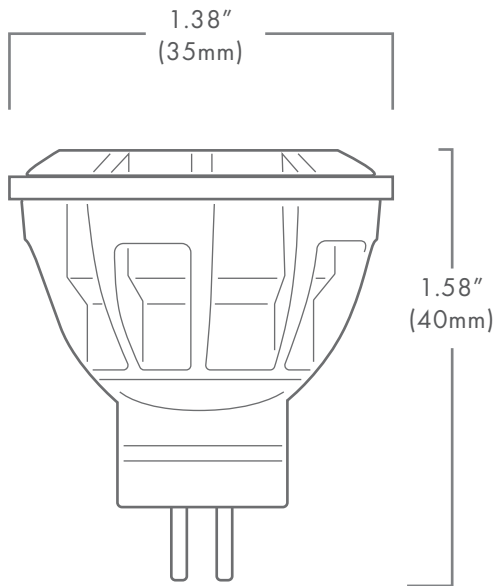
PART NUMBER: MR8 XXXX XX

2200	RED	KELVIN/ COLOR
2700	GREEN	
3000 <sup>or</sup>	BLUE	15 30 60 120 BEAMSPREAD
5700	AMBER	

Wattage	1.5
Lumens	90
Beam Spread	15°, 30°, 60°, 120°
Kelvin Temperature	2200, 2700, 3000, 5700
Color	red, green, blue, amber
Operating Range	8-25 VAC
Replaces	10W Halogen
CRI	85
IP	61
Chipset	CREE
Lamp Life (hours)	50,000
Warranty (years)	5







PART NUMBER: MR11 2 XXXX XX

2200	RED	KELVIN/ COLOR
2700	GREEN	
3000 or	BLUE	15 30 60 120 BEAMSPREAD
5700	AMBER	



## DESCRIPTION:

The Brilliance LED MR-11 LED lamp has been redesigned to better fit into standard, low voltage, MR-11 fixtures. These LED's are thermally engineered to operate in enclosed fixtures and provide added security by automatically cooling down (and reducing lumens output) only when exposed to extreme heat (air temperatures above 125°F). In addition, there is no color shift when lumens output is reduced, and the overall lamp life is improved.

## FEATURES:

- Updated Gen 5 Earth Tone colored housing
- Max current: 2w 0.4a
- Dimmable with most magnetic transformers
- Enhanced ESD (Electro-Static Discharge) Protection (IEC-61000-4-2)
- Heat Overload Protection Technology
- Fully potted PC board
- UL & FCC compliant

Wattage	2
Lumens	120
Beam Spread	15°, 30°, 60°, 120°
Kelvin Temperature	2200, 2700, 3000, 5700
Color	red, green, blue, amber
Operating Range	8-25 VAC
Replaces	20W Halogen
CRI	85
IP	61
Chipset	CREE
Lamp Life (hours)	50,000
Warranty (years)	5

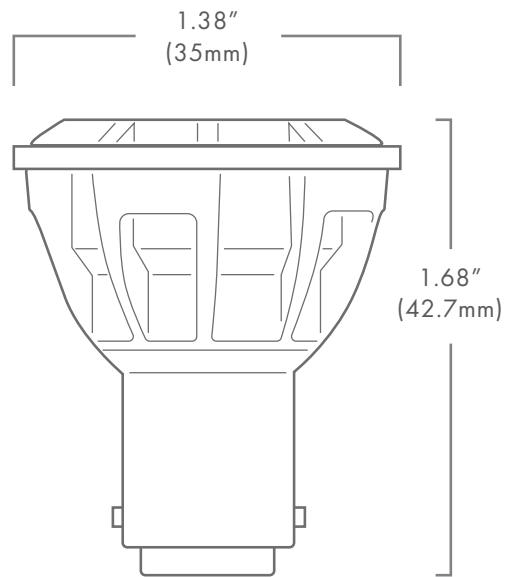
# AR-11

## DESCRIPTION:

The Brilliance LED AR-11 Double Contact Bayonet has been redesigned to better fit into standard, low voltage, AR-11 fixtures. These LED's are thermally engineered to operate in enclosed fixtures and provide added security by automatically cooling down (and reducing lumens output) only when exposed to extreme heat (air temperatures above 125°F). In addition, there is no color shift when lumens output is reduced, and the overall lamp life is improved.

## FEATURES:

- Updated Gen 5 Earth Tone colored housing
- Dimmable with most magnetic transformers
- Enhanced ESD (Electro-Static Discharge) Protection (IEC-61000-4-2)
- Heat Overload Protection Technology
- Fully potted PC board
- UL & FCC compliant



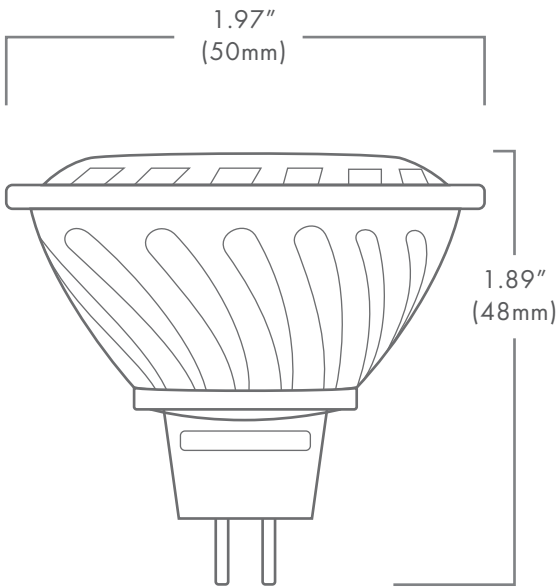
PART NUMBER: AR11 2 XXXX XX

2200	RED	KELVIN/ COLOR	15	BEAMSPREAD
2700	GREEN			
3000 <sup>OR</sup>	BLUE	30	60	
5700	AMBER			



Wattage	2
Lumens	120
Beam Spread	15°, 30°, 60°
Kelvin Temperature	2200, 2700, 3000, 5700
Color	red, green, blue, amber
Operating Range	8-25 VAC
Replaces	20W Halogen
CRI	85
IP	61
Chipset	CREE
Lamp Life (hours)	50,000
Warranty (years)	5

# MR-16 ECOSTAR



PART NUMBER: MR16 4 ECO XXXX XX

2700	KELVIN TEMPERATURE	15	BEAMSPREAD
3000			
5700			
		30	
		60	



## DESCRIPTION:

The Brilliance LED MR-16 ECOSTAR, 4 watt, LED lamp is designed to fit into standard, low voltage fixtures. Best suited for budget-conscious landscape lighting projects.

## FEATURES:

- Suitable for damp locations
- Suitable for totally enclosed luminaries
- Input electrical current: 330mA AC

Wattage	4
Lumens	265-300
Beam Spread	15°, 30°, 60°
Kelvin Temperature	2700, 3000, 5700
Operating Range	8-25 VAC
Replaces	20W Halogen
CRI	77
IP	61
Chipset	Epistar
Lamp Life (hours)	30,000
Warranty (years)	3

# MR-16 PREMIUM

## DESCRIPTION:

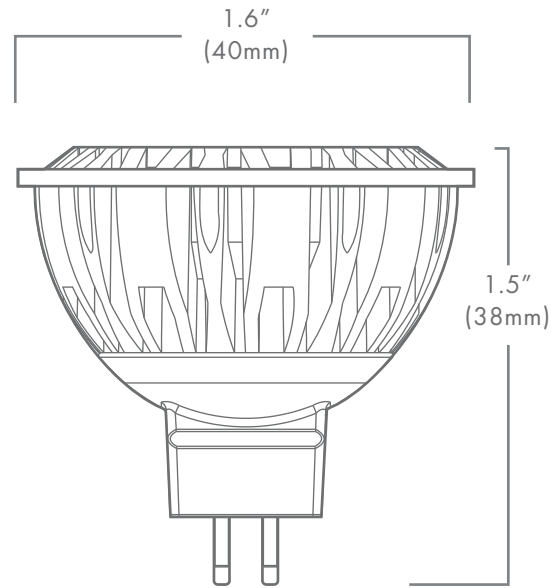
The Brilliance LED MR-16 LED lamp has been redesigned to better fit into standard, low voltage, MR-16 fixtures. These LED's are thermally engineered to operate in enclosed fixtures and provides added security by automatically cooling down (and reducing lumens output) only when exposed to extreme heat (air temperatures above 125°F). In addition, there is no color shift when lumens output is reduced, and the overall lamp life is improved.

## FEATURES:

- Updated Gen 5 Earth Tone colored housing
- Dimmable with most magnetic transformers
- Enhanced ESD (Electro-Static Discharge) Protection (IEC-61000-4-2)
- Heat Overload Protection Technology
- Fully potted PC board
- UL & FCC compliant

### LUMEN OUTPUT

	2200K	2700K	3000K	5700K
4W	275	325	350	400
5W	300	380	400	450
7W	600	690	715	750



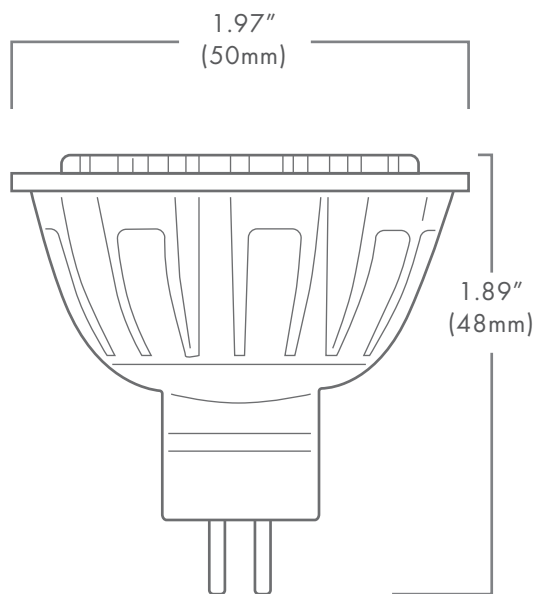
PART NUMBER: MR16 X XXXX XX

2200	4 5 7	WATTAGE	XXXX	XX
2700				
3000				
5700				
RED	15 30 60 120	KELVIN/COLOR	BEAMSPREAD	
GREEN				
BLUE				
AMBER				
SLVR GRN				

Wattage	4, 5, 7
Beam Spread	15°, 30°, 60°, 120°
Color	red, green, blue, amber, silver green
Operating Range	8-25 VAC
Replaces	20/35/50W Halogen
CRI	85
IP	61
Chipset	CREE
Lamp Life (hours)	50,000
Warranty (years)	5



# MR-16 EDGE



PART NUMBER: MR16 EDGE 7 XXXX XX



## DESCRIPTION:

The MR-16 EDGE Series is designed for use in both enclosed fixtures and open fixtures where precision lighting and very high color rendering are required.

## FEATURES:

- Ideal for indoor and outdoor applications that require superior color rendering.
- Perfect for recessed downlights, track lights, wall washing, accent and in-ground lighting.
- Works with electronic and magnetic drivers.
- Dimmable with most magnetic transformers.
- Dimmable with electronic transformer part #B+L EX95101 and part #B+L FX95100, and dimmer combination Lutron DVELV-300P.
- 80% more efficient than halogen equivalent
- Equivalent to 50W halogen.
- Fits all standard fixtures designed for MR16.
- Runs cooler than other brands.
- Suitable for damp locations.
- Engineered for use in totally enclosed fixtures
- UL & FCC compliant
- Great for retail, restaurants, galleries, gardens, residential and commercial uses.

Wattage	7
Lumens	475, 496
Beam Spread	15°, 30°, 60°
Kelvin Temperature	2700, 3000
Operating Range	8-25 VAC
Chipset	CREE XPL-HI
CRI	93
IP	61
Lamp Life (hours)	50,000
Warranty (years)	5

# PAR-36

## DESCRIPTION:

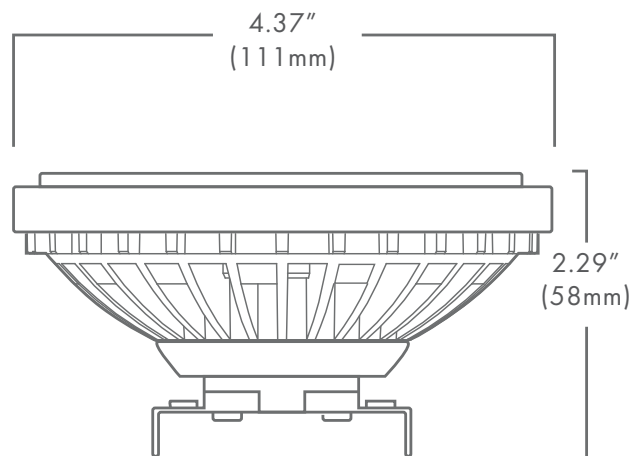
The Brilliance LED PAR-36 LED lamp has been redesigned to better fit into standard, low voltage, PAR-36 fixtures. These LED's are thermally engineered to operate in enclosed fixtures and provides added security by automatically cooling down (and reducing lumens output) only when exposed to extreme heat (air temperatures above 125°F). In addition, there is no color shift when lumen output is reduced, and the overall lamp life is improved.

## FEATURES:

- Updated Gen 5 Earth Tone colored housing
- Dimmable with most magnetic transformers
- Enhanced ESD (Electro-Static Discharge) Protection (IEC-61000-4-2)
- Heat Overload Protection Technology
- Fully potted PC board
- UL & FCC compliant

### LUMEN OUTPUT

	2200K	2700K	3000K	5700K
7W	600	675	700	800
11W	800	900	950	1150
15W	1100	1430	1530	1650



PART NUMBER: PAR36 X XXXX XX

2200	7	WATTAGE	KELVIN/COLOR	
2700				11
3000				15
5700	30	BEAMSPREAD		
RED				60
GREEN				90
BLUE				120
AMBER				



Wattage	7, 11, 15
Beam Spread	15°, 30°, 60°, 120°
Color	red, green, blue, amber(7&11W only)
Kelvin Temperature	2200, 2700, 3000, 5700
Operating Range	8-25 VAC
Replaces	20/35/50W Halogen
CRI	85
IP	68
Chipset	CREE
Lamp Life (hours)	50,000
Warranty (years)	5

# LIGHT BAR



**DESCRIPTION:**

The Light Bar is easy to install and comes in assorted sizes. Rugged construction with anodized aluminum rail.

**FEATURES:**

- "Continuous Light" frosted look
- 6' lead of 18 gauge direct burial wire
- Dimmable w/ most magnetic transformers
- Mounting Brackets available
- Shield available in copper and stainless steel for SMALL & MEDIUM only

NOT for installation within 10 ft of swimming pool per NEC Article 411-2 ATTENTION: Operating voltage range is 8-18 Volts AC/DC

PART NUMBER: BRI XXXX LED XX

Light Bar = LB	SIZE
Mounting Bracket = MB	S
LB & MB Kit = LBMB	M
	L

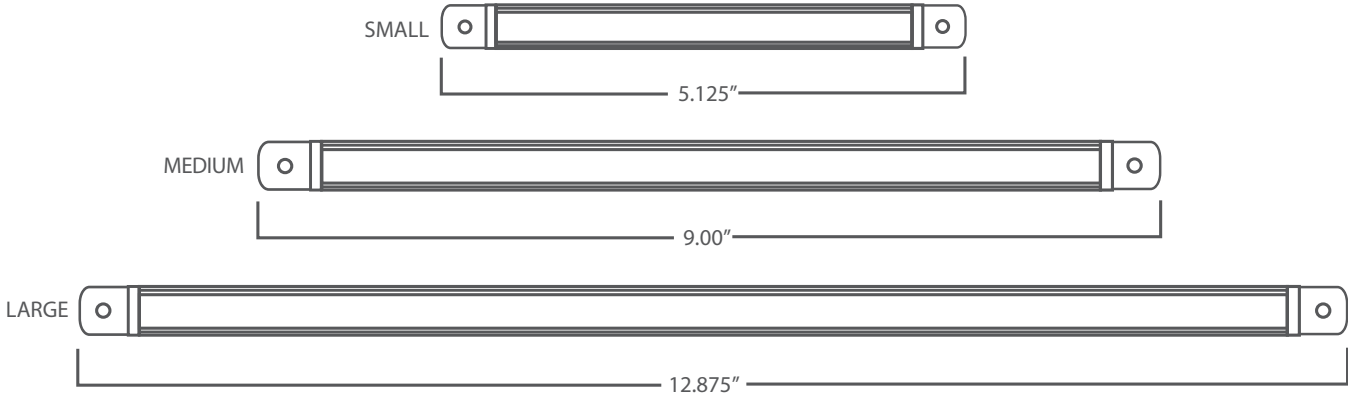
Optional-Light Bar Shield (S & M only)

PART NUMBER: LBS X XXXXXX

	SIZE	Material
	S	COPPER
	M	STEEL

Length	Name	Lumens	Watts
5.125"	S	110	1.5
9.0"	M	200	2.5
12.875"	L	300	4.0

Sizes	Small, Medium, Large
Kelvin Temperature	2700
Operating Range	8-18 VAC
Input Voltage	12 VAC
CRI	85
IP	65
Warranty (years)	5



# STRIP LIGHT

## DESCRIPTION:

The Brilliance LED AC Flex Strip Light is rated for outdoor use and can be directly connected to an existing 8-16 VAC landscape lighting system. Great accent lighting for stairs, railings and overhangs. The LEDs on this Strip Light are encased in non-yellowing material that installs easily.

## FEATURES:

- Dimmable with most magnetic transformers
- Recommended max Strip Light length per power feed is 40 feet
- Available in 82.25 ft reels or 41 ft half reels

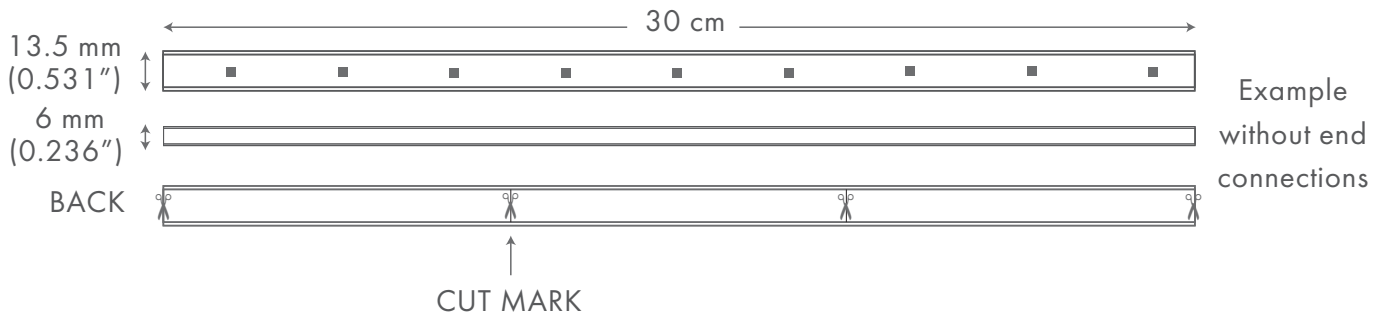


PART NUMBER : BRI SL3 XXXX 65

2700	KELVIN TEMP/COLOR
5000	
red	
green blue	

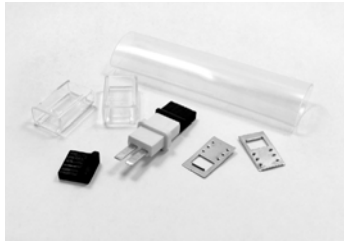
Wattage	1.8 per meter
Lumens	45 per ft
Kelvin Temperature	2700, 5000
Color	red, green, blue, amber
Operating Range	8-16 VAC
CRI	80
IP	65
Lamp Life (hours)	35,000
Warranty (years)	3

NOT for installation within 10 ft of swimming pool per NEC Article 411-2





# STRIP LIGHT ACCESSORIES



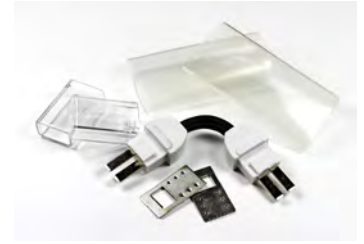
## Double-Sided Connector Kit

Part # - 0 35127 47542 4  
 1 - Double-Sided Connector  
 2 - Clear Plastic Retainers  
 2 - Metal Anti-slip Plates  
 1 - Heat Shrink Tube



## Jumper Connector Kit

Part # - 0 35127 47606 3  
 1 - Jumper Connector (10")  
 2 - Clear Plastic Retainers  
 2 - Metal Anti-slip Plates  
 2 - Heat-shrink Tubes



## 90° Jumper Connector Kit

Part # - 0 35127 47698 8  
 1 - Jumper Connector (1")  
 2 - Clear Plastic Retainers  
 2 - Metal Anti-slip Plates  
 2 - Heat-shrink Tubes



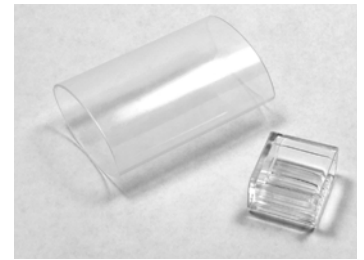
## Power Feed Kit

Part # - 0 35127 47544 8  
 1 - Power Feed (3.2')  
 1 - Clear Plastic Retainer  
 1 - Metal Anti-slip Plate  
 1 - Heat-shrink Tube



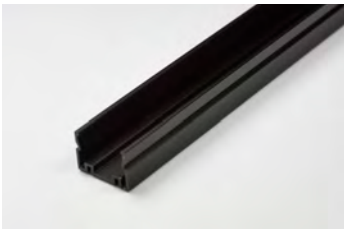
## "T" Power Feed Connector Kit

Part # - 0 35127 47608 7  
 1 - "T" Power Feed Connector (3.2')  
 2 - Clear Plastic Retainers  
 2 - Metal Anti-slip Plates  
 2 - Heat-shrink Tubes



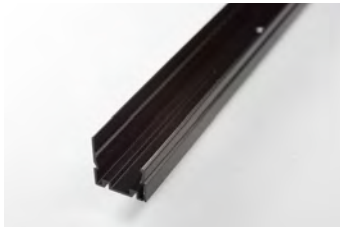
## End Cap Kit

Part # - 0 35127 47607 0  
 1 - End Cap  
 1 - Light Shield  
 1 - Heat-shrink Tube



## Strip Light Channel\* (Gen 2) w/ Groove

Part # - 0 35127 47751 0  
 1m (3.2') Channel sections  
 5 - Screws



## Strip Light Channel\* (Gen 2) w/ Groove & Glare Shield

Part # - 0 35127 47752 7  
 1m (3.2') Channel sections  
 5 - Screws



## Clip & Screw Kit

Part # - 0 35127 47543 1  
 50 - Plastic Clips  
 100 - Screws



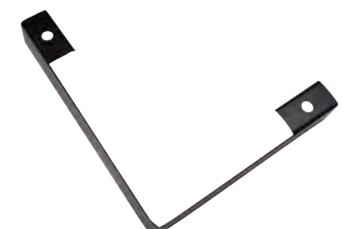
## Diffuser

Part # - 0 35127 47753 4  
 Only works with Gen 2 Channel models (3.2')



## Attachment Clip

Part # - 0 35127 47754 1  
 Only works with Gen 2 Channel models



## Stealth Connector Shields\*

Part # - 0 35127 47767 1  
 Part # - 0 35127 47771 8 (w/ Facia)  
 Only works with Gen 2 Channel models

**\*Note:** While the aluminum extrusion material will not be adversely affected by conventional Ultraviolet (UV) & Infrared (IR) exposure, the black dye used in the anodizing process is an organic material and will experience fading over time depending on the level of exposure to Ultraviolet (UV) & Infrared (IR) from sunlight. The amount of fading will be determined by the above stated factors. For this reason, Brilliance LED makes no warranty or guarantee for discoloration when this product is used in an outdoor application or is exposed to direct sunlight.

# AQUABEAM

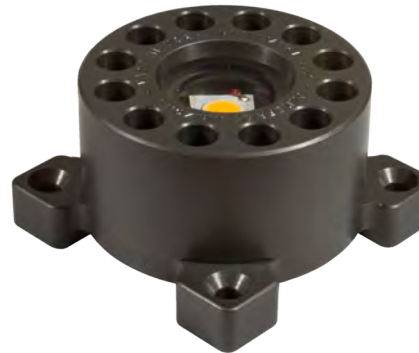
## DESCRIPTION:

The Brilliance LED AquaBeam is designed with high lumen and superior color rendition for the extremely wet or underwater applications. This integrated LED specialty fixture is made in the USA; it is fabricated of precision machined aluminum and is fully potted. The coating process allows for superior abrasion and corrosion resistance even in the harshest of environments. It has been tested in the harshest conditions for 100+ days.

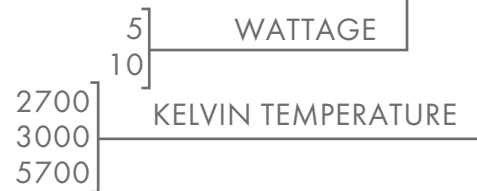
## FEATURES:

- Fully submersible application
- Can be installed indoor and outdoor
- Dimmable with most magnetic transformers
- The latest in CREE COB technology
- Fully potted electronics
- Abrasion and corrosion resistant
- Environmentally friendly & energy efficient
- 25ft Lead

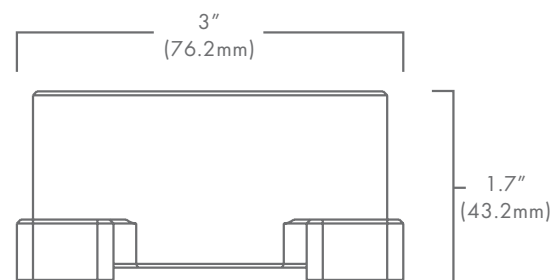
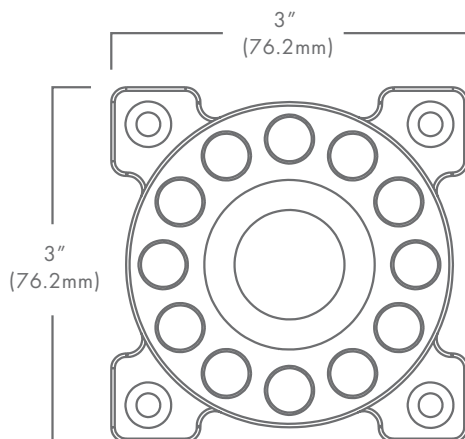
**\*Note:** Corrosive chemicals in the water of ponds and fountains as well as natural hard water and salt water could affect the appearance of the coating, but will not impact functionality of the product. For this reason, Brilliance LED makes no warranty or guarantee for change in appearance when this product is used in water, as it is designed to be used. **NOT for installation within 10 ft of swimming pool per NEC Article 411-2**



PART NUMBER: AQUABEAM XX XXXX



Wattage	5 & 10
Lumens	350 & 700
Beam Spread	45°
Kelvin Temperature	2700, 3000, 5700
Operating Range	8-18 VAC/DC
IP	68
CRI	83
Lamp Life (hours)	50,000
Warranty (years)	5



# ADJUSTABLE AQUABEAM



PART NUMBER: AQUABEAM ADJ XX XXXX



Wattage	5 & 10
Lumens	350 & 700
Beam Spread	45°
Kelvin Temperature	2700, 3000, 5700
Operating Range	8-18 VAC/DC
IP	68
CRI	83
Lamp Life (hours)	50,000
Warranty (years)	5

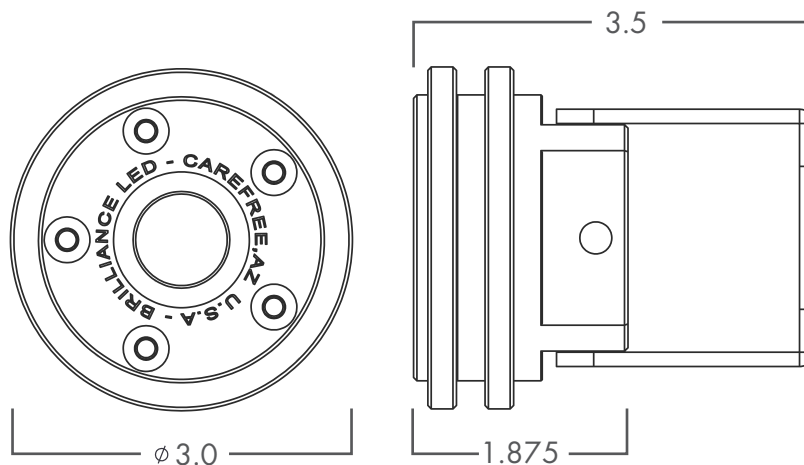
## DESCRIPTION:

The Brilliance LED AquaBeam is designed with high lumen and superior color rendition for the extremely wet or underwater applications. This integrated LED specialty fixture is made in the USA; it is fabricated of precision machined C464 Naval Brass and is fully potted.

## FEATURES:

- Fully submersible application
- Can be installed indoor and outdoor
- Dimmable with most magnetic transformers
- The latest in CREE COB technology
- Fully potted electronics
- Abrasion and corrosion resistant
- Environmentally friendly & energy efficient
- Easy vertical and horizontal adjustments
- 316 Stainless Steel Bracket (marine grade)
- 25ft Lead

**\*Note:** Corrosive chemicals in the water of ponds and fountains as well as natural hard water and salt water could affect the appearance of the coating, but will not impact functionality of the product. For this reason, Brilliance LED makes no warranty or guarantee for change in appearance when this product is used in water, as it is designed to be used. **NOT for installation within 10 ft of swimming pool per NEC Article 411-2**



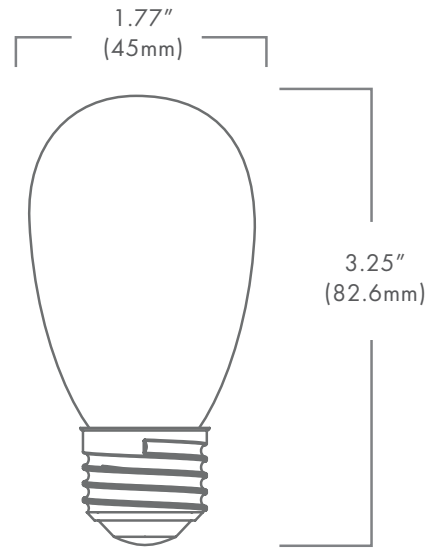
# S-14 EDGE FILAMENT

## DESCRIPTION:

The S14 Edge Filament is designed for use in both outdoor and indoor open fixtures where precision lighting and high color rendering is required. This lamp is ideal for inverted bistro style lighting.

## FEATURES:

- UL listed
- Clear, omni-directional light source
- Elegant, exposed filament design
- Dimmable
- UL & FCC compliant



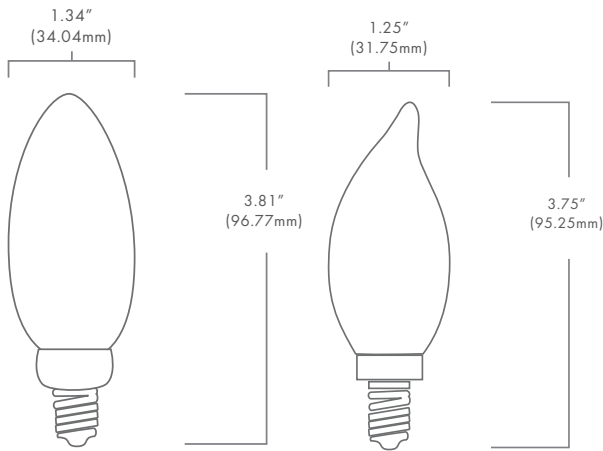
PART NUMBER: S14 FIL EDGE XXXX XXX

2200 } KELVIN TEMPERATURE  
2700 }  
3000 }  
012 } Volts AC  
120 }

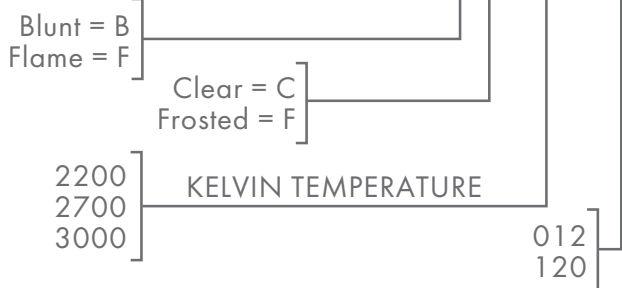
Wattage	3.5
Lumens	245
Kelvin Temperature	2200, 2700, 3000
Operating Range	12 VAC, 110-130 VAC
CRI	95
IP	64
Lamp Life (hours)	30,000
Warranty (years)	3



# CANDELABRA EDGE FILAMENT



PART NUMBER: CAN FIL EDGE X X XXXX XXX



## DESCRIPTION:

The Brilliance LED Edge Filament lamps are a decorative light source available in 110-130 VAC or 12 VAC. These lamps with 95 CRI give the effect of an original Edison lamp. These are great for indoor chandeliers and anywhere a warm light source is needed.

## FEATURES:

- Replaces 40W Incandescent
- UL Listed in USA and Canada
- Flame tip and Blunt tip styles
- Clear or frosted omni-directional light source
- Elegant exposed filament design
- Dimmable
- UL & FCC compliant

Wattage	3.5
Lumens	275
Kelvin Temperature	2200, 2700, 3000
Operating Range	12 VAC, 110-130 VAC
CRI	95
IP	64
Lamp Life (hours)	30,000
Warranty (years)	3

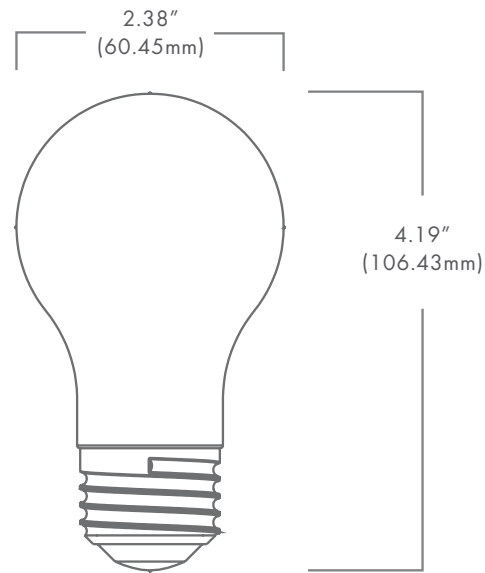
# A-19 EDGE FILAMENT

## DESCRIPTION:

The Brilliance LED Edge Filament lamps are a decorative light source in 110-130VAC. These 2700K lamps with 95 CRI give the effect of an original Edison lamp. This lamp is great for any place a warm light source is needed.

## FEATURES:

- Replaces 60W Incandescent
- UL Listed in USA and Canada
- Clear, omni-directional light source
- Elegant, exposed filament design
- Dimmable
- UL & FCC compliant



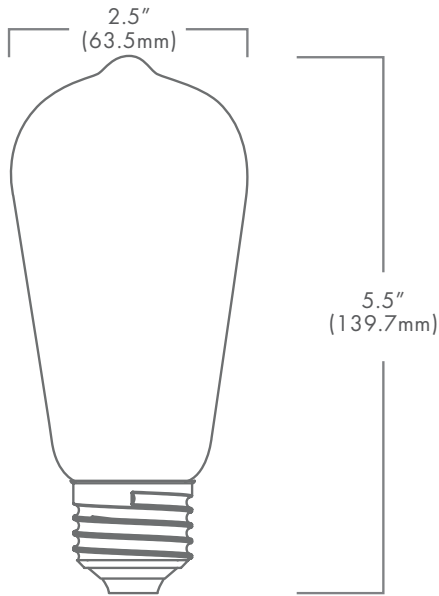
PART NUMBER: A19 FIL EDGE XXXX

2200  
2700

Wattage	6.5
Lumens	500
Kelvin Temperature	2200, 2700
Operating Range	110-130 VAC
CR	95
IPI	64
Lamp Life (hours)	30,000
Warranty (years)	3



# S-21 EDGE FILAMENT



PART NUMBER: S21 FIL EDGE 2700



## DESCRIPTION:

The S-21 Edge Filament lamps are a decorative light source in 110-130 VAC. These 2700K lamps with 95 CRI give the effect of an original Edison lamp. This lamp is great for any place a warm light source is needed.

## FEATURES:

- Replaces 40 Watt Incandescent
- UL listed in USA and Canada
- Clear, omni-directional light source
- Elegant, exposed filament design
- Dimmable
- UL & FCC compliant

Wattage	5
Lumens	380
Kelvin Temperature	2700
Operating Range	110-130 VAC
CRI	95
IP	64
Lamp Life (hours)	30,000
Warranty (years)	3

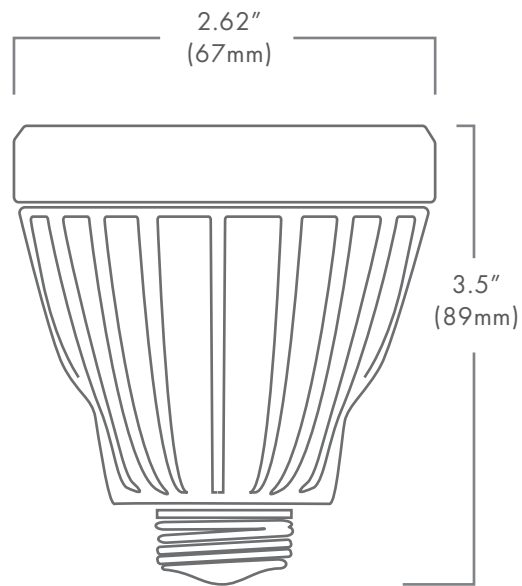
# PAR-20

## DESCRIPTION:

The PAR (Indoor/Outdoor) Series is designed specifically as an energy saving alternative to traditional halogen PAR lamps, making them ideal for general lighting. Designed for 120VAC, 60Hz universal power, they can be installed into any standard E26 medium socket. The lamps are corrosion resistant. Each lamp is made with CREE XP-E high power chipset.

## FEATURES:

- Dimmable
- Shock and vibration resistant
- UV, NIR radiation & mercury free
- Black & white housing options
- Suitable for totally enclosed fixtures
- UL & FCC compliant



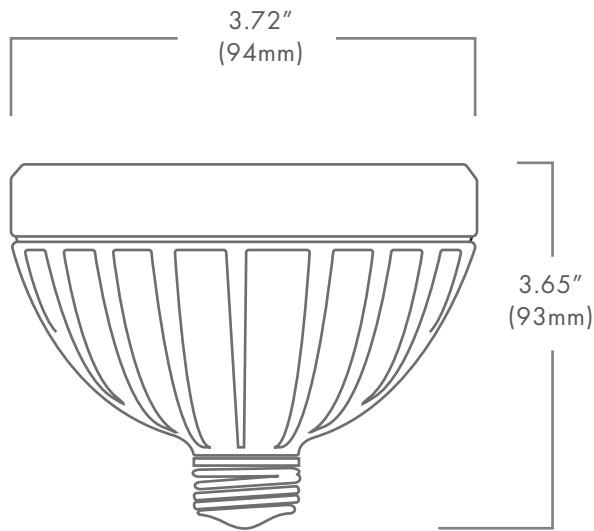
PART NUMBER: PAR 20 IOS XXXX XX XX

2700	KELVIN TEMPERATURE	25	BEAMSPREAD	HOUSING
3000				
5700				
		40		BL = Black WH = White

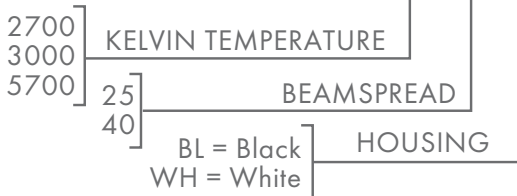
Wattage	7
Lumens	320 <sub>(2700k)</sub> , 340 <sub>(3000K)</sub> , 460 <sub>(5700K)</sub>
Beam Spread	25°, 40°
Kelvin Temperature	2700, 3000, 5700
Input Voltage	110-120 VAC/60Hz
Replaces	50W Halogen
CRI	83
IP	64
Chipset	CREE XP-E
Lamp Life (hours)	35,000
Warranty (years)	3







PART NUMBER: PAR 30 IOS XXXX XX XX



## DESCRIPTION:

The PAR (Indoor/Outdoor) Series is designed specifically as an energy saving alternative to traditional halogen PAR lamps, making them ideal for general lighting. Designed for 120VAC, 60Hz universal power, they can be installed into any standard E26 medium socket. The lamps are corrosion resistant. Each lamp is made with CREE XP-E high power chipset.

## FEATURES:

- Dimmable
- Shock and vibration resistant
- UV, NIR radiation & mercury free
- Black or white housing
- Suitable for totally enclosed fixtures
- UL & FCC compliant

Wattage	12
Lumens	620/730/800
Beam Spread	25°, 40°
Kelvin Temperature	2700, 3000, 5700
Input Voltage	110-120 VAC/60Hz
Replaces	75W Halogen
CRI	83
IP	64
Chipset	CREE XP-E
Lamp Life (hours)	35,000
Warranty (years)	3

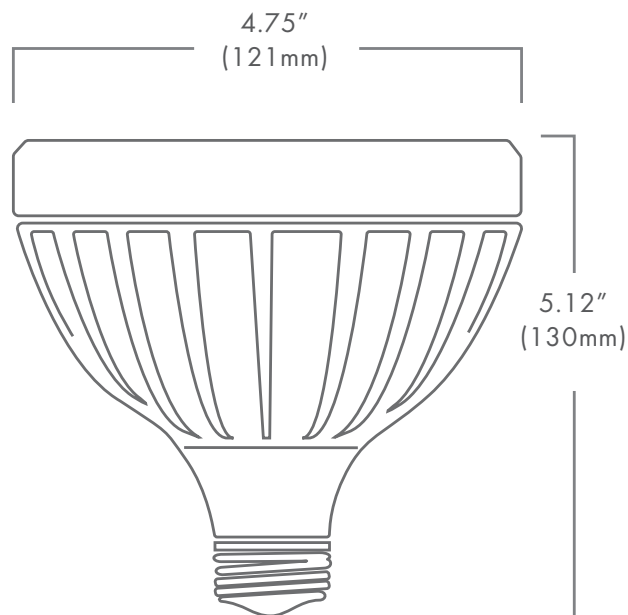
# PAR-38

## DESCRIPTION:

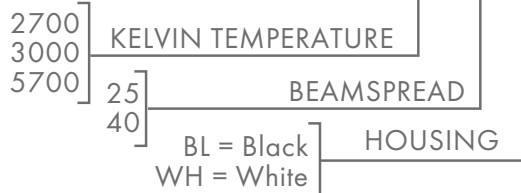
The PAR (Indoor/Outdoor) Series is designed specifically as an energy saving alternative to traditional halogen PAR lamps, making them ideal for general lighting. Designed for 120VAC, 60Hz universal power, they can be installed into any standard E26 medium socket. The lamps are corrosion resistant. Each lamp is made with CREE XP-E high power chipset.

## FEATURES:

- Dimmable
- Shock and vibration resistant
- UV, NIR radiation & mercury free
- Black or white housing
- Suitable for totally enclosed fixtures
- UL & FCC compliant

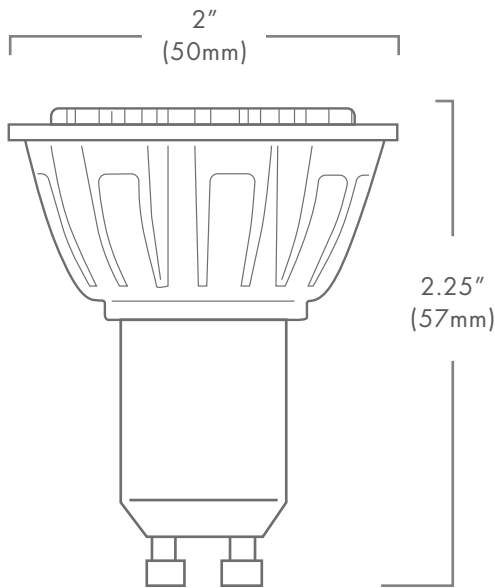


PART NUMBER: PAR 38 IOS XXXX XX XX



Wattage	17
Lumens	800, 850, 1150
Beam Spread	25°, 40°
Kelvin Temperature	2700, 3000, 5700
Input Voltage	110-120 VAC/60hz
Replaces	100W Halogen
CRI	85
IP	64
Chipset	CREE XP-E
Lamp Life (hours)	35,000
Warranty (years)	3





PART NUMBER: GU10 EDGE 2700 XX

15	BEAMSPREAD
30	
60	
120	



## DESCRIPTION:

The Brilliance LED GU-10 EDGE is designed for use in both indoor and outdoor 110-130VAC GU-10 base fixtures where precision lighting and very high color rendering are preferred or required.

## FEATURES:

- UL listed
- Ideal for indoor and outdoor applications that require superior color rendering
- Perfect for recessed downlighting, track lighting, wall washing, accent and in-ground lighting
- Dimmable with most C+L dimmers
- 80% more efficient than halogen equivalent
- Equivalent to 50 watt halogen
- Fits all standard fixtures designed for GU-10
- Runs cooler than other brands
- Suitable for damp locations
- Engineered for use in totally enclosed fixtures
- UL & FCC compliant

Wattage	5
Lumens	295
Beam Spread	15°, 30°, 60°, 120°
Kelvin Temperature	2700
Operating Range	110-130 VAC
Replaces	50W Halogen
CRI	93
IP	61
Chipset	CREE XPL-HI
Lamp Life (hours)	50,000
Warranty (years)	5

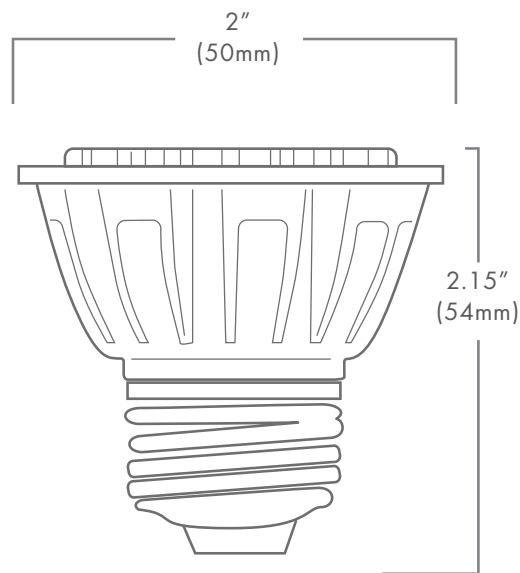
# PAR-16 EDGE

## DESCRIPTION:

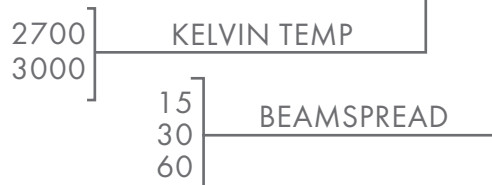
The Brilliance LED PAR-16 EDGE is designed for use in both outdoor enclosed and indoor open fixtures where precision lighting and high color rendering is preferred or required.

## FEATURES:

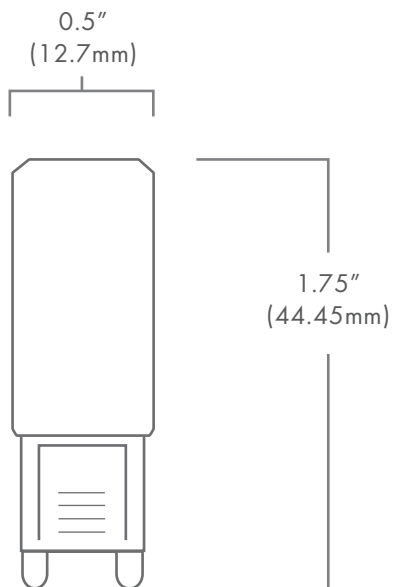
- UL Listed
- Perfect for recessed downlighting, track lighting, wall washing, accent and in-ground lighting
- Ideal for indoor and outdoor applications that require superior color rendering
- 80% more efficient than halogen equivalent
- Equivalent to 35W Halogen
- Fits all standard fixtures designed for 120V medium base MR-16
- Runs cooler than other brands
- Suitable for damp locations
- Engineered for use in totally enclosed fixtures
- UL & FCC compliant



PART NUMBER: PAR16 EDGE 5 XXXX XX



Wattage	5
Lumens	315
Beam Spread	15°, 30°, 60°
Kelvin Temperature	2700, 3000
Input Voltage	120 VAC
CRI	93
Chipset	CREE
Lamp Life (hours)	50,000
Warranty (years)	5



PART NUMBER: BRI G9 EDGE 120 2700



## DESCRIPTION:

The Brilliance LED G9 EDGE is an ideal replacement for halogen G9 lamps and provides excellent performance with its retrofit design. Suitable for most existing fixtures, this lamp offers extremely long life and low power consumption, and it is maintenance free.

## FEATURES:

- Dimmable
- G-9 Base
- UV Free
- Thermal ceramic body
- Excellent heat dissipation
- CAUTION: Risk of electric shock, use in dry locations only, not for use in totally enclosed fixtures.

Wattage	1.8
Lumens	160
Beam Spread	360°H 360°V
Kelvin Temperature	2700
Input Voltage	120 VAC
Replaces	25W Halogen
CRI	90
IP	60
Lamp Life (hours)	25,000
Warranty (years)	3

# BRILLIANCE LED DIMMER

## DESCRIPTION:

The Brilliance LED Dimmer Switch provides 12VAC dimming for up to 120 watts. This unit can be mounted next to the 12VAC transformer or anywhere out in the field.

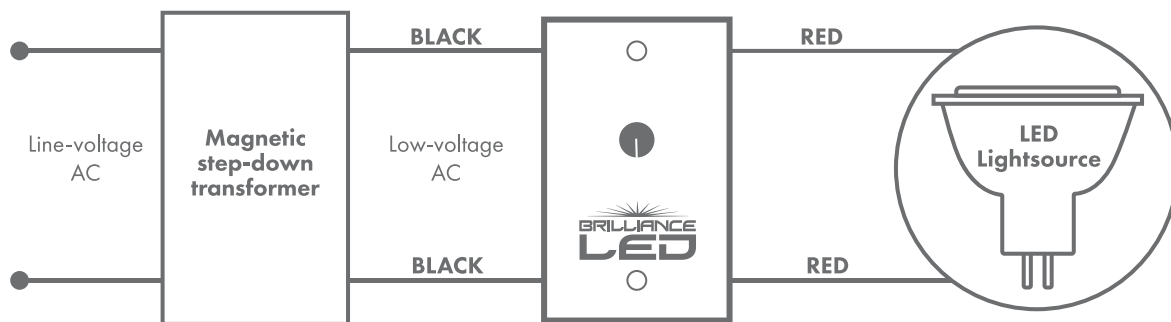
## FEATURES:

- Installs in single-gang deep junction box on low-voltage side of magnetic step-down transformer
- Current capacity: 10 Amps
- Compatible with all Brilliance LED lamps
- Always use supplied gasket
- No minimum load
- Dimmer range may vary depending upon load that is applied
- Made in the USA



PART NUMBER:  
12 VAC Brilliance Dimmer Switch

Wattage	120
Operating Range	12 VAC
IP	63
Warranty (years)	3



# LOW VOLTAGE ZONE CONTROL



PART NUMBER:  
12 VAC Low Voltage Zone Control

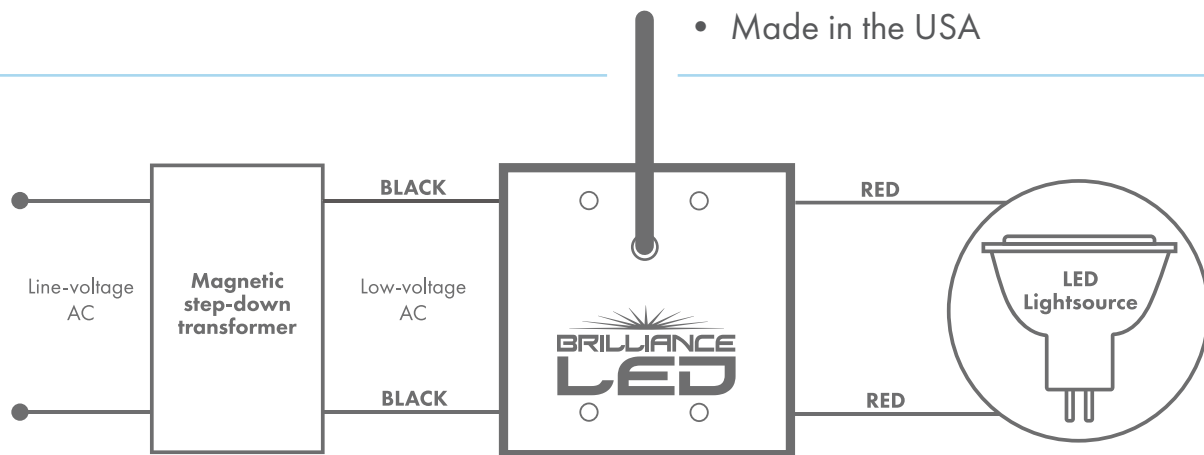
Wattage	240
Operating Range	12 VAC
IP	63
Warranty (years)	3

## DESCRIPTION:

The Brilliance LED Low Voltage Zone Control provides 12VAC dimming for up to 240 watts. This device can be mounted next to the 12VAC transformer or anywhere out in the field. Seamlessly control your lighting system from your bluetooth enabled device.

## FEATURES:

- Bluetooth Controlled, 200ft line-of-sight range
- Android & iPhone compatible
- Independently control/link multiple dimmers together
- 240 Watt Max
- Installs in double-gang deep junction box on low-voltage side of magnetic step-down transformer
- Current capacity: 20 Amps
- Compatible with all Brilliance LED lamps
- Always use supplied gasket
- No minimum load
- Dimmer range may vary depending upon load that is applied
- Made in the USA



# TRANSFORMER

## DESCRIPTION:

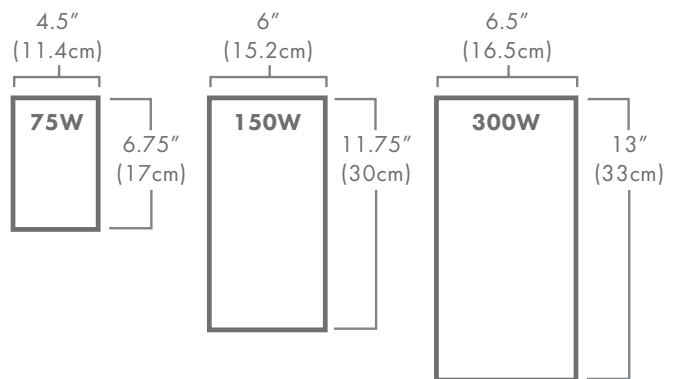
The Brilliance LED Transformers are high-quality, stainless steel cased, & multi tap. Available in 3 wattages they are sure to accomplish any level of project and work beautifully with the entire Brilliance LED line.

## FEATURES:

- UL 1838 compliant
- Secondary Circuit Breaker
- Photocell compatible
- 5 ½ and ¾" Knockouts
- Removable Bottom
- 6ft Grounded plug
- Multi Tap: 12V & 15V (75W)
- Multi Tap: 12V, 13V, 14V, & 15V (150W/300W)
- Analog Timer (75W)
- Digital Timer (150W/300W)



PART NUMBER: BRI XFORMER X



Wattage	75, 150, 300
Finish	Stainless Steel
Warranty (years)	5



# PHOTOMETRICS

MR-8 2700K 15° CANDLE POWER= 491.27		
Distance		Foot Candles
2 ft	6"	122.82
4 ft	1' 1"	30.70
6 ft	1' 7"	13.65
8 ft	2' 1"	7.68
10 ft	2' 8"	4.91
15 ft	3' 11"	2.18
20 ft	5' 3"	1.23
30ft	7' 11"	0.55
40 ft	10' 6"	0.31
50 ft	13' 2"	0.20

MR-8 2700K 30° CANDLE POWER= 263.11		
Distance		Foot Candles
2 ft	1' 1"	65.78
4 ft	2' 2"	16.44
6 ft	3' 3"	7.31
8 ft	4' 3"	4.11
10 ft	5' 4"	2.63
15 ft	8'	1.17
20 ft	10' 9"	0.66
30ft	16' 1"	0.29
40 ft	21' 5"	0.16
50 ft	26' 10"	0.11

MR-8 2700K 60° CANDLE POWER= 76.9		
Distance		Foot Candles
2 ft	2' 4"	19.23
4 ft	4' 8"	4.81
6 ft	6' 11"	2.14
8 ft	9' 3"	1.20
10 ft	11' 6"	0.77
15 ft	17' 4"	0.34
20 ft	23' 1"	0.19
30ft	37' 7"	0.09
40 ft	46' 2"	0.05
50 ft	57' 8"	0.03

MR-8 2700K 120° CANDLE POWER= 41.45		
Distance		Foot Candles
2 ft	6' 11"	10.36
4 ft	13' 10"	2.59
6 ft	20' 9"	1.15
8 ft	27' 9"	0.65
10 ft	34' 8"	0.41
15 ft	52'	0.18
20 ft	69' 3"	0.10
30ft	103' 11"	0.05
40 ft	138' 7"	0.03
50 ft	173' 2"	0.02

MR/AR-11 2700K 15° CANDLE POWER= 914.21		
Distance		Foot Candles
2 ft	6"	228.55
4 ft	1' 1"	57.14
6 ft	1' 7"	25.39
8 ft	2' 1"	14.28
10 ft	2' 8"	9.14
15 ft	3' 11"	4.06
20 ft	5' 3"	2.29
30ft	7' 11"	1.02
40 ft	10' 6"	0.57
50 ft	13' 2"	0.37

MR/AR-11 2700K 30° CANDLE POWER= 274.57		
Distance		Foot Candles
2 ft	1' 1"	68.64
4 ft	2' 2"	17.16
6 ft	3' 3"	7.63
8 ft	4' 3"	4.29
10 ft	5' 4"	2.75
15 ft	8'	1.22
20 ft	10' 9"	0.69
30ft	16' 1"	0.31
40 ft	21' 5"	0.17
50 ft	26' 10"	0.11

MR/AR-11 2700K 60° CANDLE POWER= 114.1		
Distance		Foot Candles
2 ft	2' 4"	28.53
4 ft	4' 8"	7.13
6 ft	6' 11"	3.17
8 ft	9' 3"	1.78
10 ft	11' 6"	1.14
15 ft	17' 4"	0.51
20 ft	23' 1"	0.29
30ft	37' 7"	0.13
40 ft	46' 2"	0.07
50 ft	57' 8"	0.05

MR-11 2700K 120° CANDLE POWER= 60.68		
Distance		Foot Candles
2 ft	6' 11"	15.17
4 ft	13' 10"	3.79
6 ft	20' 9"	1.69
8 ft	27' 9"	0.95
10 ft	34' 8"	0.61
15 ft	52'	0.27
20 ft	69' 3"	0.15
30ft	103' 11"	0.07
40 ft	138' 7"	0.04
50 ft	173' 2"	0.02

MR-16 2700K 15° 4W CANDLE POWER= 1877.87		
Distance		Foot Candles
2 ft	6"	469.47
4 ft	1' 1"	117.37
6 ft	1' 7"	52.16
8 ft	2' 1"	29.34
10 ft	2' 8"	18.78
15 ft	3' 11"	8.35
20 ft	5' 3"	4.69
30ft	7' 11"	2.09
40 ft	10' 6"	1.17
50 ft	13' 2"	0.75

MR-16 2700K 30° 4W CANDLE POWER= 692		
Distance		Foot Candles
2 ft	1' 1"	173.00
4 ft	2' 2"	43.25
6 ft	3' 3"	19.22
8 ft	4' 3"	10.81
10 ft	5' 4"	6.92
15 ft	8'	3.08
20 ft	10' 9"	1.73
30ft	16' 1"	0.77
40 ft	21' 5"	0.43
50 ft	26' 10"	0.28

MR-16 2700K 60° 4W CANDLE POWER= 210		
Distance		Foot Candles
2 ft	2' 4"	52.50
4 ft	4' 8"	13.13
6 ft	6' 11"	5.83
8 ft	9' 3"	3.28
10 ft	11' 6"	2.10
15 ft	17' 4"	0.93
20 ft	23' 1"	0.53
30ft	37' 7"	0.23
40 ft	46' 2"	0.13
50 ft	57' 8"	0.08

MR-16 2700K 120° 4W CANDLE POWER=84		
Distance		Foot Candles
2 ft	6' 11"	21.00
4 ft	13' 10"	5.25
6 ft	20' 9"	2.33
8 ft	27' 9"	1.31
10 ft	34' 8"	0.84
15 ft	52'	0.37
20 ft	69' 3"	0.21
30ft	103' 11"	0.09
40 ft	138' 7"	0.05
50 ft	173' 2"	0.03

# PHOTOMETRICS

**MR-16 2700K 15° 5W  
CANDLE POWER= 1920.58**

Distance	Foot Candles	
2 ft	6"	480.15
4 ft	1' 1"	120.04
6 ft	1' 7"	53.35
8 ft	2' 1"	30.01
10 ft	2' 8"	19.21
15 ft	3' 11"	8.54
20 ft	5' 3"	4.80
30ft	7' 11"	2.13
40 ft	10' 6"	1.20
50 ft	13' 2"	0.77

**MR-16 2700K 30° 5W  
CANDLE POWER= 738.59**

Distance	Foot Candles	
2 ft	1' 1"	184.65
4 ft	2' 2"	46.16
6 ft	3' 3"	53.35
8 ft	4' 3"	11.54
10 ft	5' 4"	7.39
15 ft	8'	3.28
20 ft	10' 9"	1.85
30ft	16' 1"	0.82
40 ft	21' 5"	0.46
50 ft	26' 10"	0.30

**MR-16 2700K 60° 5W  
CANDLE POWER= 245.86**

Distance	Foot Candles	
2 ft	2' 4"	61.47
4 ft	4' 8"	15.37
6 ft	6' 11"	6.83
8 ft	9' 3"	3.84
10 ft	11' 6"	2.46
15 ft	17' 4"	1.09
20 ft	23' 1"	0.61
30ft	37' 7"	0.27
40 ft	46' 2"	0.15
50 ft	57' 8"	0.10

**MR-16 2700K 120° 5W  
CANDLE POWER= 93**

Distance	Foot Candles	
2 ft	6' 11"	23.25
4 ft	13' 10"	5.81
6 ft	20' 9"	2.58
8 ft	27' 9"	1.45
10 ft	34' 8"	0.93
15 ft	52'	0.41
20 ft	69' 3"	0.23
30ft	103' 11"	0.10
40 ft	138' 7"	0.06
50 ft	173' 2"	0.04

**MR-16 2700K 15° 7W  
CANDLE POWER= 1963**

Distance	Foot Candles	
2 ft	6"	490.75
4 ft	1' 1"	122.69
6 ft	1' 7"	54.53
8 ft	2' 1"	30.67
10 ft	2' 8"	19.63
15 ft	3' 11"	8.72
20 ft	5' 3"	4.91
30ft	7' 11"	2.18
40 ft	10' 6"	1.23
50 ft	13' 2"	0.79

**MR-16 2700K 30° 7W  
CANDLE POWER= 784**

Distance	Foot Candles	
2 ft	1' 1"	196.00
4 ft	2' 2"	49.00
6 ft	3' 3"	21.78
8 ft	4' 3"	12.25
10 ft	5' 4"	7.84
15 ft	8'	3.48
20 ft	10' 9"	1.96
30ft	16' 1"	0.87
40 ft	21' 5"	0.49
50 ft	26' 10"	0.31

**MR-16 2700K 60° 7W  
CANDLE POWER= 366**

Distance	Foot Candles	
2 ft	2' 4"	91.50
4 ft	4' 8"	22.88
6 ft	6' 11"	10.17
8 ft	9' 3"	5.72
10 ft	11' 6"	3.66
15 ft	17' 4"	1.63
20 ft	23' 1"	0.92
30ft	37' 7"	0.41
40 ft	46' 2"	0.23
50 ft	57' 8"	0.15

**MR-16 2700K 120° 7W  
CANDLE POWER= 163**

Distance	Foot Candles	
2 ft	6' 11"	40.75
4 ft	13' 10"	10.19
6 ft	20' 9"	4.53
8 ft	27' 9"	2.55
10 ft	34' 8"	1.63
15 ft	52'	0.72
20 ft	69' 3"	0.41
30ft	103' 11"	0.18
40 ft	138' 7"	0.10
50 ft	173' 2"	0.07

**MR-16 EDGE 2700K 15° 7W  
CANDLE POWER= 1136.98**

Distance	Foot Candles	
2 ft	6"	284.25
4 ft	1' 1"	71.06
6 ft	1' 7"	31.58
8 ft	2' 1"	17.77
10 ft	2' 8"	11.37
15 ft	3' 11"	5.05
20 ft	5' 3"	2.84
30ft	7' 11"	1.26
40 ft	10' 6"	0.71
50 ft	13' 2"	0.45

**MR-16 EDGE 2700K 30° 7W  
CANDLE POWER= 834.62**

Distance	Foot Candles	
2 ft	1' 1"	208.66
4 ft	2' 2"	52.16
6 ft	3' 3"	23.18
8 ft	4' 3"	13.04
10 ft	5' 4"	8.35
15 ft	8'	3.71
20 ft	10' 9"	2.09
30ft	16' 1"	0.93
40 ft	21' 5"	0.52
50 ft	26' 10"	0.33

**MR-16 EDGE 3000K 15° 7W  
CANDLE POWER= 1629.87**

Distance	Foot Candles	
2 ft	6"	407.47
4 ft	1' 1"	101.87
6 ft	1' 7"	45.27
8 ft	2' 1"	25.47
10 ft	2' 8"	16.30
15 ft	3' 11"	7.24
20 ft	5' 3"	4.07
30ft	7' 11"	1.81
40 ft	10' 6"	1.02
50 ft	13' 2"	0.65

**MR-16 EDGE 3000K 30° 7W  
CANDLE POWER= 1183.26**

Distance	Foot Candles	
2 ft	1' 1"	295.82
4 ft	2' 2"	73.95
6 ft	3' 3"	32.87
8 ft	4' 3"	18.49
10 ft	5' 4"	11.83
15 ft	8'	5.26
20 ft	10' 9"	2.96
30ft	16' 1"	1.31
40 ft	21' 5"	0.74
50 ft	26' 10"	0.47

# PHOTOMETRICS

**PAR-20 2700K 25° 7W  
CANDLE POWER= 886.14**

Distance	Foot Candles
2 ft	5" 221.54
4 ft	1' 9" 155.38
6 ft	2' 7" 24.62
8 ft	3' 6" 13.85
10 ft	4' 5" 8.86
15 ft	6' 7" 3.94
20 ft	8' 10" 2.22
30ft	13' 3" 0.98
40 ft	17' 8" 0.55
50 ft	22' 2" 0.35

**PAR-20 2700K 40° 7W  
CANDLE POWER= 460.25**

Distance	Foot Candles
2 ft	1' 5" 115.06
4 ft	2' 10" 28.77
6 ft	4' 4" 12.78
8 ft	5' 9" 7.19
10 ft	7' 3" 4.61
15 ft	10' 10" 2.05
20 ft	14' 6" 1.15
30ft	21' 10" 0.51
40 ft	29' 1" 0.29
50 ft	36' 4" 0.18

**PAR-20 3000K 25° 7W  
CANDLE POWER= 1127.24**

Distance	Foot Candles
2 ft	5" 281.81
4 ft	1' 9" 70.45
6 ft	2' 7" 31.31
8 ft	3' 6" 17.61
10 ft	4' 5" 11.27
15 ft	6' 7" 5.01
20 ft	8' 10" 2.82
30ft	13' 3" 1.25
40 ft	17' 8" 0.70
50 ft	22' 2" 0.45

**PAR-20 3000K 40° 7W  
CANDLE POWER= 558.57**

Distance	Foot Candles
2 ft	1' 5" 139.64
4 ft	2' 10" 34.91
6 ft	4' 4" 15.51
8 ft	5' 9" 8.73
10 ft	7' 3" 5.59
15 ft	10' 10" 2.48
20 ft	14' 6" 1.40
30ft	21' 10" 0.62
40 ft	29' 1" 0.35
50 ft	36' 4" 0.22

**PAR-20 5700K 25° 7W  
CANDLE POWER= 1335.83**

Distance	Foot Candles
2 ft	5" 333.96
4 ft	1' 9" 83.49
6 ft	2' 7" 37.11
8 ft	3' 6" 20.87
10 ft	4' 5" 13.36
15 ft	6' 7" 5.94
20 ft	8' 10" 3.34
30ft	13' 3" 1.48
40 ft	17' 8" 0.83
50 ft	22' 2" 0.53

**PAR-20 5700K 40° 7W  
CANDLE POWER= 646.54**

Distance	Foot Candles
2 ft	1' 5" 161.64
4 ft	2' 10" 40.41
6 ft	4' 4" 17.96
8 ft	5' 9" 10.10
10 ft	7' 3" 6.47
15 ft	10' 10" 2.87
20 ft	14' 6" 1.62
30ft	21' 10" 0.72
40 ft	29' 1" 0.40
50 ft	36' 4" 0.26

**PAR-30 2700K 25° 12W  
CANDLE POWER= 1094.61**

Distance	Foot Candles
2 ft	5" 273.65
4 ft	1' 9" 68.41
6 ft	2' 7" 30.41
8 ft	3' 6" 17.10
10 ft	4' 5" 10.95
15 ft	6' 7" 4.86
20 ft	8' 10" 2.74
30ft	13' 3" 1.22
40 ft	17' 8" 0.68
50 ft	22' 2" 0.44

**PAR-30 2700K 40° 12W  
CANDLE POWER= 594.71**

Distance	Foot Candles
2 ft	1' 5" 148.68
4 ft	2' 10" 37.17
6 ft	4' 4" 16.52
8 ft	5' 9" 9.29
10 ft	7' 3" 5.95
15 ft	10' 10" 2.64
20 ft	14' 6" 1.49
30ft	21' 10" 0.66
40 ft	29' 1" 0.37
50 ft	36' 4" 0.24

**PAR-30 3000K 25° 12W  
CANDLE POWER= 1466.69**

Distance	Foot Candles
2 ft	5" 366.67
4 ft	1' 9" 91.67
6 ft	2' 7" 40.74
8 ft	3' 6" 22.92
10 ft	4' 5" 14.67
15 ft	6' 7" 6.52
20 ft	8' 10" 3.67
30ft	13' 3" 1.63
40 ft	17' 8" 0.92
50 ft	22' 2" 0.59

**PAR-30 3000K 40° 12W  
CANDLE POWER= 926.70**

Distance	Foot Candles
2 ft	1' 5" 231.68
4 ft	2' 10" 57.92
6 ft	4' 4" 25.74
8 ft	5' 9" 14.48
10 ft	7' 3" 9.27
15 ft	10' 10" 4.12
20 ft	14' 6" 2.32
30ft	21' 10" 1.03
40 ft	29' 1" 0.58
50 ft	36' 4" 0.37

**PAR-30 5700K 25° 12W  
CANDLE POWER= 1569.09**

Distance	Foot Candles
2 ft	5" 392.27
4 ft	1' 9" 98.07
6 ft	2' 7" 43.59
8 ft	3' 6" 24.52
10 ft	4' 5" 15.69
15 ft	6' 7" 6.97
20 ft	8' 10" 3.92
30ft	13' 3" 1.74
40 ft	17' 8" 0.98
50 ft	22' 2" 0.63

**PAR-30 5700K 40° 12W  
CANDLE POWER= 1078.21**

Distance	Foot Candles
2 ft	1' 5" 269.55
4 ft	2' 10" 67.39
6 ft	4' 4" 29.95
8 ft	5' 9" 16.85
10 ft	7' 3" 10.78
15 ft	10' 10" 4.79
20 ft	14' 6" 2.71
30ft	21' 10" 1.20
40 ft	29' 1" 0.67
50 ft	36' 4" 0.43

# PHOTOMETRICS

**PAR-36 2700K 15° 7W  
CANDLE POWER= 3058.27**

Distance		Foot Candles
2 ft	6"	764.57
4 ft	1' 1"	191.14
6 ft	1' 7"	84.95
8 ft	2' 1"	47.79
10 ft	2' 8"	30.58
15 ft	3' 11"	13.59
20 ft	5' 3"	7.65
30ft	7' 11"	3.40
40 ft	10' 6"	1.91
50 ft	13' 2"	1.22

**PAR-36 2700K 30° 7W  
CANDLE POWER= 937.23**

Distance		Foot Candles
2 ft	1' 1"	234.31
4 ft	2' 2"	58.58
6 ft	3' 3"	26.03
8 ft	4' 3"	14.64
10 ft	5' 4"	9.37
15 ft	8'	4.17
20 ft	10' 9"	2.34
30ft	16' 1"	1.04
40 ft	21' 5"	0.59
50 ft	26' 10"	0.37

**PAR-36 2700K 60° 7W  
CANDLE POWER= 560.19**

Distance		Foot Candles
2 ft	2' 4"	140.05
4 ft	4' 8"	35.01
6 ft	6' 11"	15.56
8 ft	9' 3"	8.75
10 ft	11' 6"	5.60
15 ft	17' 4"	2.49
20 ft	23' 1"	1.40
30ft	37' 7"	0.62
40 ft	46' 2"	0.35
50 ft	57' 8"	0.22

**PAR-36 2700K 15° 11W  
CANDLE POWER= 5490.68**

Distance		Foot Candles
2 ft	6"	1372.67
4 ft	1' 1"	343.17
6 ft	1' 7"	152.52
8 ft	2' 1"	85.79
10 ft	2' 8"	54.91
15 ft	3' 11"	24.40
20 ft	5' 3"	13.73
30ft	7' 11"	6.10
40 ft	10' 6"	3.43
50 ft	13' 2"	2.20

**PAR-36 2700K 30° 11W  
CANDLE POWER= 1253.65**

Distance		Foot Candles
2 ft	1' 1"	313.41
4 ft	2' 2"	78.35
6 ft	3' 3"	34.82
8 ft	4' 3"	19.59
10 ft	5' 4"	12.54
15 ft	8'	5.57
20 ft	10' 9"	3.13
30ft	16' 1"	1.39
40 ft	21' 5"	0.78
50 ft	26' 10"	0.50

**PAR-36 2700K 60° 11W  
CANDLE POWER= 701.51**

Distance		Foot Candles
2 ft	2' 4"	175.38
4 ft	4' 8"	43.84
6 ft	6' 11"	19.49
8 ft	9' 3"	10.96
10 ft	11' 6"	7.02
15 ft	17' 4"	3.12
20 ft	23' 1"	1.75
30ft	37' 7"	0.78
40 ft	46' 2"	0.44
50 ft	57' 8"	0.28

**PAR-36 2700K 15° 15W  
CANDLE POWER= 10328.0**

Distance		Foot Candles
2 ft	6"	2582.0
4 ft	1' 1"	645.5
6 ft	1' 7"	286.89
8 ft	2' 1"	161.38
10 ft	2' 8"	103.28
15 ft	3' 11"	45.9
20 ft	5' 3"	25.82
30ft	7' 11"	11.48
40 ft	10' 6"	6.46
50 ft	13' 2"	4.13

**PAR-36 2700K 30° 15W  
CANDLE POWER= 2735.81**

Distance		Foot Candles
2 ft	1' 1"	683.95
4 ft	2' 2"	170.99
6 ft	3' 3"	75.99
8 ft	4' 3"	42.75
10 ft	5' 4"	27.36
15 ft	8'	12.16
20 ft	10' 9"	6.84
30ft	16' 1"	3.04
40 ft	21' 5"	1.71
50 ft	26' 10"	1.09

**PAR-36 2700K 60° 15W  
CANDLE POWER= 919.97**

Distance		Foot Candles
2 ft	2' 4"	229.99
4 ft	4' 8"	57.50
6 ft	6' 11"	25.55
8 ft	9' 3"	14.37
10 ft	11' 6"	9.20
15 ft	17' 4"	4.09
20 ft	23' 1"	2.30
30ft	37' 7"	1.02
40 ft	46' 2"	0.57
50 ft	57' 8"	0.37

**PAR-38 2700K 25° 17W  
CANDLE POWER= 1468.5**

Distance		Foot Candles
2 ft	5"	367.13
4 ft	1' 9"	91.78
6 ft	2' 7"	40.79
8 ft	3' 6"	22.95
10 ft	4' 5"	14.69
15 ft	6' 7"	6.53
20 ft	8' 10"	3.67
30ft	13' 3"	1.63
40 ft	17' 8"	0.92
50 ft	22' 2"	0.59

**PAR-38 3000K 25° 17W  
CANDLE POWER= 2313.89**

Distance		Foot Candles
2 ft	5"	578.47
4 ft	1' 9"	144.62
6 ft	2' 7"	64.27
8 ft	3' 6"	36.15
10 ft	4' 5"	23.14
15 ft	6' 7"	10.28
20 ft	8' 10"	5.78
30ft	13' 3"	2.57
40 ft	17' 8"	1.45
50 ft	22' 2"	0.93

**PAR-38 5700K 25° 17W  
CANDLE POWER= 2964.88**

Distance		Foot Candles
2 ft	5"	741.22
4 ft	1' 9"	185.31
6 ft	2' 7"	82.36
8 ft	3' 6"	46.33
10 ft	4' 5"	29.65
15 ft	6' 7"	13.18
20 ft	8' 10"	7.41
30ft	13' 3"	3.29
40 ft	17' 8"	1.85
50 ft	22' 2"	1.19

# PHOTOMETRICS

PAR-38 2700K 40° 17W CANDLE POWER= 868.8			PAR-38 3000K 40° 17W CANDLE POWER= 1126.77			PAR-38 5700K 40° 17W CANDLE POWER= 1349.93		
Distance		Foot Candles	Distance		Foot Candles	Distance		Foot Candles
2 ft	1' 5"	217.20	2 ft	1' 5"	281.69	2 ft	1' 5"	337.48
4 ft	2' 10"	54.30	4 ft	2' 10"	70.42	4 ft	2' 10"	84.37
6 ft	4' 4"	24.13	6 ft	4' 4"	31.31	6 ft	4' 4"	37.51
8 ft	5' 9"	13.58	8 ft	5' 9"	17.61	8 ft	5' 9"	21.09
10 ft	7' 3"	8.69	10 ft	7' 3"	11.27	10 ft	7' 3"	13.51
15 ft	10' 10"	3.86	15 ft	10' 10"	5.01	15 ft	10' 10"	6.00
20 ft	14' 6"	2.17	20 ft	14' 6"	2.82	20 ft	14' 6"	3.37
30ft	21' 10"	0.97	30ft	21' 10"	1.25	30ft	21' 10"	1.51
40 ft	29' 1"	0.54	40 ft	29' 1"	0.70	40 ft	29' 1"	0.84
50 ft	36' 4"	0.35	50 ft	36' 4"	0.45	50 ft	36' 4"	0.54

## VOLT AMPS

PRODUCT	WATT	POWER FACTOR	VOLT AMPS	TOTAL DRAW ON AC SYSTEM
MICROS	1.2	0.79	0.32	1.52
BEACONS	2.0	0.61	1.28	3.28
G-4 ECOSTAR 2W	2.0	0.60	1.33	3.33
G-4 ECOSTAR 3W	3.0	0.60	2.00	5.00
G-4 WAFERS	2.0	0.60	1.33	3.33
MR-8	1.5	0.60	1.00	2.50
MR-11	2.0	0.60	1.33	3.33
AR-11	2.0	0.60	1.33	3.33
MR-16 ECOSTAR	4.0	0.63	2.35	6.35
MR-16 4W	4.0	0.63	2.35	6.35
MR-16 5W	5.0	0.60	3.33	8.33
MR-16 7W	7.0	0.63	4.11	11.11
PAR-36 7W	7.0	0.65	3.77	10.77
PAR-36 11W	11.0	0.69	4.94	15.94
PAR-36 15W	15.0	0.70	6.43	21.43
LIGHT BAR S	1.5	0.90	0.17	1.67
LIGHT BAR M	2.5	0.90	0.28	2.78
LIGHT BAR L	4.0	0.91	0.40	4.40
STRIP LIGHT	1.8	0.60	1.20	3.00
AQUABEAM/ADJ AQB	5.0	0.73	1.85	6.85
AQUABEAM/ADJ AQB	10.0	0.88	1.36	11.36
S-14 EDGE	3.5	0.89	0.43	3.93
CANDELABRA EDGE	3.5	0.89	0.43	3.93

# UPC INDEX

Part Number	UPC
BRI BIPIN MICRO G4 2700	035127475202
BRI BIPIN MICRO G4 3000	035127477688
BRI BIPIN MICRO G4 5700	700118610749
BRI BIPIN MICRO G4 RED	035127477275
BRI BIPIN MICRO G4 GREEN	035127477282
BRI BIPIN MICRO G4 BLUE	035127477299
BRI BIPIN MICRO G4 AMBER	035127477305
BRI MICRO T5 2700	035127477176
G4 Ecostar 2W 2700	700118610855
G4 Ecostar 2W 3000	700118610961
G4 Ecostar 3W 2700	700118610862
G4 Ecostar 3W 3000	700118610978
Beacon G4 2700	035127476827
Beacon G4 3000	035127476834
Beacon G4 5700	035127476841
Beacon T5 2700	035127476964
Beacon T5 3000	035127475561
Beacon T5 5700	035127476971
Beacon SCB 2700	035127476933
Beacon SCB 3000	035127476940
Beacon SCB 5700	035127476957
Beacon DCB 2700	035127477619
Beacon DCB 3000	035127477664
Beacon DCB 5700	700118610756
Beacon S8 2700	035127476858
Beacon S8 3000	035127476919
Beacon S8 5700	035127476926
BIPIN G4 RND WAFER	035127475332
BIPIN G4 REC WAFER	035127475325
MR8 1.5 2200 15	035127473000
MR8 1.5 2700 15	035127473017
MR8 1.5 3000 15	035127473024
MR8 1.5 5700 15	035127473031
MR8 1.5 RED 15	035127473048
MR8 1.5 GREEN 15	035127473055
MR8 1.5 BLUE 15	035127473062
MR8 1.5 AMBER 15	035127473079
MR8 1.5 2200 30	035127473086
MR8 1.5 2700 30	035127473093
MR8 1.5 3000 30	035127473109
MR8 1.5 5700 30	035127473116
MR8 1.5 RED 30	035127473123
MR8 1.5 GREEN 30	035127473130
MR8 1.5 BLUE 30	035127473147
MR8 1.5 AMBER 30	035127473154

Part Number	UPC
MR8 1.5 2200 60	035127473161
MR8 1.5 2700 60	035127473178
MR8 1.5 3000 60	035127473185
MR8 1.5 5700 60	035127473192
MR8 1.5 RED 60	035127473208
MR8 1.5 GREEN 60	035127473215
MR8 1.5 BLUE 60	035127473222
MR8 1.5 AMBER 60	035127473239
MR8 1.5 2700 120	035127476032
MR8 1.5 3000 120	035127476377
MR8 1.5 5700 120	035127476384
MR11 2 2200 15	035127473246
MR11 2 2700 15	035127473253
MR11 2 3000 15	035127473260
MR11 2 5700 15	035127473277
MR11 2 RED 15	035127473284
MR11 2 GREEN 15	035127473291
MR11 2 BLUE 15	035127473307
MR11 2 AMBER 15	035127473314
MR11 2 2200 30	035127473321
MR11 2 2700 30	035127473338
MR11 2 3000 30	035127473345
MR11 2 5700 30	035127473352
MR11 2 RED 30	035127473369
MR11 2 GREEN 30	035127473376
MR11 2 BLUE 30	035127473383
MR11 2 AMBER 30	035127473390
MR11 2 2200 60	035127473406
MR11 2 2700 60	035127473413
MR11 2 3000 60	035127473420
MR11 2 5700 60	035127473437
MR11 2 RED 60	035127473444
MR11 2 GREEN 60	035127473451
MR11 2 BLUE 60	035127473468
MR11 2 AMBER 60	035127473475
MR11 2 2700 120	035127476025
MR11 2 3000 120	035127476391
MR11 2 5700 120	035127476407
AR11 2 2200 15	035127472768
AR11 2 2700 15	035127472775
AR11 2 3000 15	035127472782
AR11 2 5700 15	035127472799
AR11 2 RED 15	035127472805
AR11 2 GREEN 15	035127472812
AR11 2 BLUE 15	035127472829

Part Number	UPC
AR11 2 AMBER 15	035127472836
AR11 2 2200 30	035127472843
AR11 2 2700 30	035127472850
AR11 2 3000 30	035127472867
AR11 2 5700 30	035127472874
AR11 2 RED 30	035127472881
AR11 2 GREEN 30	035127472898
AR11 2 BLUE 30	035127472904
AR11 2 AMBER 30	035127472911
AR11 2 2200 60	035127472928
AR11 2 2700 60	035127472935
AR11 2 3000 60	035127472942
AR11 2 5700 60	035127472959
AR11 2 RED 60	035127472966
AR11 2 GREEN 60	035127472973
AR11 2 BLUE 60	035127472980
AR11 2 AMBER 60	035127472997
MR16 4 2200 15	035127473482
MR16 4 2700 15	035127473499
MR16 4 3000 15	035127473505
MR16 4 5700 15	035127473512
MR16 4 RED 15	035127473529
MR16 4 GREEN 15	035127473536
MR16 4 BLUE 15	035127473543
MR16 4 AMBER 15	035127473550
MR16 4 2200 30	035127473567
MR16 4 2700 30	035127473574
MR16 4 3000 30	035127473581
MR16 4 5700 30	035127473598
MR16 4 RED 30	035127473604
MR16 4 GREEN 30	035127473611
MR16 4 BLUE 30	035127473628
MR16 4 AMBER 30	035127473635
MR16 4 2200 60	035127473642
MR16 4 2700 60	035127473659
MR16 4 3000 60	035127473666
MR16 4 5700 60	035127473673
MR16 4 RED 60	035127473680
MR16 4 GREEN 60	035127473697
MR16 4 BLUE 60	035127473703
MR16 4 AMBER 60	035127473710
MR16 4 2700 120	035127474090
MR16 4 3000 120	035127474083
MR16 4 5700 120	035127474038
MR16 5 2200 15	035127473727

Part Number	UPC
MR16 5 2700 15	035127473734
MR16 5 3000 15	035127473741
MR16 5 5700 15	035127473758
MR16 5 RED 15	035127473765
MR16 5 GREEN 15	035127473772
MR16 5 BLUE 15	035127473789
MR16 5 AMBER 15	035127473796
MR16 5 Silver Green 15	700118611029
MR16 5 2200 30	035127473802
MR16 5 2700 30	035127473819
MR16 5 3000 30	035127473826
MR16 5 5700 30	035127473833
MR16 5 RED 30	035127473840
MR16 5 GREEN 30	035127473857
MR16 5 BLUE 30	035127473864
MR16 5 AMBER 30	035127473871
MR16 5 Silver Green 30	700118611036
MR16 5 2200 60	035127473888
MR16 5 2700 60	035127473895
MR16 5 3000 60	035127473901
MR16 5 5700 60	035127473918
MR16 5 RED 60	035127473925
MR16 5 GREEN 60	035127473932
MR16 5 BLUE 60	035127473949
MR16 5 AMBER 60	035127473956
MR16 5 Silver Green 60	700118611043
MR16 5 2700 120	035127474168
MR16 5 3000 120	035127474113
MR16 5 5700 120	035127474106
MR16 7 2200 15	035127473963
MR16 7 2700 15	035127473970
MR16 7 3000 15	035127473987
MR16 7 5700 15	035127473994
MR16 7 2200 30	035127474045
MR16 7 2700 30	035127474052
MR16 7 3000 30	035127474069
MR16 7 5700 30	035127474076
MR16 7 2200 60	035127474120
MR16 7 2700 60	035127474137
MR16 7 3000 60	035127474144
MR16 7 5700 60	035127474151
MR16 7 2700 120	035127474199
MR16 7 3000 120	035127474182
MR16 7 5700 120	035127474175
MR16 4 ECO 2700 15	035127476773

Part Number	UPC
MR16 4 ECO 3000 15	035127477749
MR16 4 ECO 5700 15	035127476995
MR16 4 ECO 2700 30	035127476766
MR16 4 ECO 3000 30	035127477701
MR16 4 ECO 5700 30	035127477008
MR16 4 ECO 2700 60	035127476780
MR16 4 ECO 3000 60	035127477756
MR16 4 ECO 5700 60	035127477015
MR16 EDGE 7 2700 15	035127477084
MR16 EDGE 7 3000 15	035127477091
MR16 EDGE 7 2700 30	035127477107
MR16 EDGE 7 3000 30	035127477114
MR16 EDGE 7 2700 60	035127477725
MR16 EDGE 7 3000 60	035127477732
PAR36 7 2200 15	035127474205
PAR36 7 2700 15	035127474212
PAR36 7 3000 15	035127474229
PAR36 7 5700 15	035127474236
PAR36 7 RED 15	035127474243
PAR36 7 GREEN 15	035127474250
PAR36 7 BLUE 15	035127474267
PAR36 7 AMBER 15	035127474274
PAR36 7 2200 30	035127474281
PAR36 7 2700 30	035127474298
PAR36 7 3000 30	035127474304
PAR36 7 5700 30	035127474311
PAR36 7 RED 30	035127474328
PAR36 7 GREEN 30	035127474335
PAR36 7 BLUE 30	035127474342
PAR36 7 AMBER 30	035127474359
PAR36 7 2200 60	035127474366
PAR36 7 2700 60	035127474373
PAR36 7 3000 60	035127474380
PAR36 7 5700 60	035127474397
PAR36 7 RED 60	035127474403
PAR36 7 GREEN 60	035127474410
PAR36 7 BLUE 60	035127474427
PAR36 7 AMBER 60	035127474434
PAR36 7 2700 120	035127477459
PAR36 7 3000 120	035127477466
PAR36 7 5700 120	700118610879
PAR36 11 2200 15	035127474441
PAR36 11 2700 15	035127474458
PAR36 11 3000 15	035127474465
PAR36 11 5700 15	035127474472

Part Number	UPC
PAR36 11 RED 15	035127474489
PAR36 11 GREEN 15	035127474496
PAR36 11 BLUE 15	035127474502
PAR36 11 AMBER 15	035127474519
PAR36 11 2200 30	035127474526
PAR36 11 2700 30	035127474533
PAR36 11 3000 30	035127474540
PAR36 11 5700 30	035127474557
PAR36 11 RED 30	035127474564
PAR36 11 GREEN 30	035127474571
PAR36 11 BLUE 30	035127474588
PAR36 11 AMBER 30	035127474595
PAR36 11 2200 60	035127474601
PAR36 11 2700 60	035127474618
PAR36 11 3000 60	035127474625
PAR36 11 5700 60	035127474632
PAR36 11 RED 60	035127474649
PAR36 11 GREEN 60	035127474656
PAR36 11 BLUE 60	035127474663
PAR36 11 AMBER 60	035127474670
PAR36 11 2700 120	035127477473
PAR36 11 3000 120	035127477480
PAR36 15 2200 15	035127474687
PAR36 15 2700 15	035127474694
PAR36 15 3000 15	035127474700
PAR36 15 5700 15	035127474717
PAR36 15 2200 30	035127474762
PAR36 15 2700 30	035127474779
PAR36 15 3000 30	035127474786
PAR36 15 5700 30	035127474793
PAR36 15 2200 60	035127474847
PAR36 15 2700 60	035127474854
PAR36 15 3000 60	035127474861
PAR36 15 5700 60	035127474878
PAR36 15 2700 120	035127477497
PAR36 15 3000 120	035127477503
BRI CAN LV 12 C 2200 2 F	035127475356
BRI CAN LV 12 C 2700 2 F	035127475363
BRI CAN LV 12 C 3000 2 F	035127475370
BRI CAN LV 12 C 5000 2 F	035127475523
BRI CAN LV 12 C 2700 4 B	035127474915
BRI CAN LV 12 C 3000 4 B	035127474892
BRI CAN EDGE 12VAC 2700 CF	700118611012
S14 12VAC 5000K	035127475783
S14 FIL EDGE 12VAC 2200	700118610671

# UPC INDEX

Part Number	UPC
S14 FIL EDGE 12VAC 2700	700118610688
BRI LB LED3	035127475615
BRI LB LED6	035127475622
BRI LB LED9	035127475639
BRI MB LED3	035127475653
BRI MB LED6	035127475660
BRI MB LED9	035127475677
BRI LBMB LED3	035127475691
BRI LBMB LED6	035127475707
BRI LBMB LED9	035127475714
LBS LED3 C	035127477374
LBS LED3 SS	035127477381
LBS LED6 C	035127477398
LBS LED6 SS	035127477404
ADAPTER DCB TO G4 BIPIN	BRI ACC-2
ADAPTER SCB TO G4 BIPIN	BRI ACC-1
ADAPTER A19/E26 TO G4 BIPIN	MB2G4
BRI SL3 2700	035127475554
BRI SL3 5000	035127477121
BRI SL3 RED	035127474885
BRI SL3 GREEN	035127477145
BRI SL3 BLUE	035127474908
BRI SL3 AMBER	700118610848
BRI SL3 CUSTOM 2700	999999999904
BRI SL3 CUSTOM 5000	999999999905
BRI SL3 CUSTOM RED	999999999906
BRI SL3 CUSTOM GREEN	999999999907
BRI SL3 CUSTOM BLUE	999999999908
BRI SL3 CUSTOM AMBER	999999999909
BRI SL3 CUT	999999999999
BRI SL A-PF	035127475448
BRI SL A-T	035127476087
BRI SL A-JC	035127476063
BRI SL A-90	035127476988
BRI SL A-DSC	035127475424
BRI SL A-EC	035127476070
BRI SL A-C&S	035127475431
SL SCS	035127477671
SL SCS w/ FACIA	035127477718
BRI SL A-AC	035127477541
BRI SL A-C	035127477510
BRI SL A-C2	035127477527
BRI SL A-CD	035127477534
AQUABEAM 5 2700	035127477312
AQUABEAM 5 3000	035127477329

Part Number	UPC
AQUABEAM 5 5700	035127477336
AQUABEAM 10 2700	035127477343
AQUABEAM 10 3000	035127477350
AQUABEAM 10 5700	035127477367
ADJ AQUABEAM 5 2700	700118610787
ADJ AQUABEAM 5 3000	700118610794
ADJ AQUABEAM 5 5700	700118610800
ADJ AQUABEAM 10 2700	700118610817
ADJ AQUABEAM 10 3000	700118610824
ADJ AQUABEAM 10 5700	700118610831
PAR16 EDGE 5 2700 15	035127477558
PAR16 EDGE 5 2700 30	035127477565
PAR16 EDGE 5 2700 60	035127477572
PAR16 EDGE 5 3000 15	035127477589
PAR16 EDGE 5 3000 30	035127477596
PAR16 EDGE 5 3000 60	035127477602
PAR20 IOS 2700 25 BL	035127475769
PAR20 IOS 3000 25 BL	035127475240
PAR20 IOS 5700 25 BL	035127475257
PAR20 IOS 2700 25 WH	035127475882
PAR20 IOS 3000 25 WH	035127475417
PAR20 IOS 5700 25 WH	035127475516
PAR20 IOS 2700 40 BL	035127475776
PAR20 IOS 3000 40 BL	035127475936
PAR20 IOS 5700 40 BL	035127475943
PAR20 IOS 2700 40 WH	035127475998
PAR20 IOS 3000 40 WH	035127476001
PAR20 IOS 5700 40 WH	035127476018
PAR30 IOS 2700 25 BL	035127476728
PAR30 IOS 3000 25 BL	035127475462
PAR30 IOS 5700 25 BL	035127476179
PAR30 IOS 2700 25 WH	035127476223
PAR30 IOS 3000 25 WH	035127475455
PAR30 IOS 5700 25 WH	035127476230
PAR30 IOS 2700 40 BL	035127476735
PAR30 IOS 3000 40 BL	035127476285
PAR30 IOS 5700 40 BL	035127476292
PAR30 IOS 2700 40 WH	035127476346
PAR30 IOS 3000 40 WH	035127476353
PAR30 IOS 5700 40 WH	035127476360
PAR38 IOS 2700 25 BL	035127476742
PAR38 IOS 3000 25 BL	035127475509
PAR38 IOS 5700 25 BL	035127476131
PAR38 IOS 2700 25 WH	035127476094
PAR38 IOS 3000 25 WH	035127475493

Part Number	UPC
PAR38 IOS 5700 25 WH	035127476100
PAR38 IOS 2700 40 BL	035127476759
PAR38 IOS 3000 40 BL	035127476414
PAR38 IOS 5700 40 BL	035127475486
PAR38 IOS 2700 40 WH	035127476469
PAR38 IOS 3000 40 WH	035127476476
PAR38 IOS 5700 40 WH	035127475479
BRI G9 EDGE 120 2700	035127475738
GU10 EDGE 2700 15	035127477411
GU10 EDGE 2700 30	035127477428
GU10 EDGE 2700 60	035127477435
GU10 EDGE 2700 120	035127477442
BRI CAN 120 C 2200 2 F 120V	035127475349
BRI CAN 120 C 2700 2 F 120V	035127476148
BRI CAN 120 C 3000 2 F 120V	035127476155
BRI CAN 120 C 5000 2 F 120V	035127476162
BRI LED CAN ADA	035127475400
CAN FIL EDGE B 2200 Clear 120V	700118610701
CAN FIL EDGE F 2200 Clear 120V	700118610695
CAN FIL EDGE B 2700 Clear 120V	035127477206
CAN FIL EDGE F 2700 Clear 120V	035127477183
CAN FIL EDGE F 2200 Frosted 120V	700118610763
CAN FIL EDGE F 2700 Frosted 120V	700118610770
A19 FIL EDGE 2200, 110-130VAC	700118610725
A19 FIL EDGE 2700, 110-130VAC	035127477152
S14 FIL EDGE 110-130VAC 2200	700118610718
S14 FIL EDGE 110-130VAC 2700	035127477633
S21 FIL EDGE 2700, 110-130VAC	035127477657
12VAC DIMMER SWITCH	035127477626
Low Voltage Zone Control	035127477626
75 Watt Transformer	700118611098
150 Watt Transformer	700118611104
300 Watt Transformer	700118611111
BRI SL3 2700 40' Kit	700118611005



# LIMITED WARRANTY

Brilliance LED, LLC is committed to providing our customers with unparalleled quality and service. Your satisfaction is our goal. To this end, Brilliance LED, LLC warrants and guarantees the following:

If any product you purchase from Brilliance LED, LLC fails to perform according to specifications, we ask that you contact us immediately. If the product is found to contain defects of material or workmanship, your account will be credited or the product will be replaced at no charge to you. The corresponding credit memo must be used within 6 months. No cash refunds will be issued.

Notwithstanding the foregoing, Brilliance LED, LLC reserves the right to inspect any returned/exchanged product for defects.

**This warranty DOES NOT cover** abuse, cosmetic damage, or damage due to acts of God, misuse, negligence, or modification to any part of the Product. **This warranty DOES NOT cover** damage due to failure to follow directions regarding operation of the Product and also **DOES NOT** cover connection to improper power-supply (more than 24 volts), lightning strike, hot-plugging (electrical overstress), other power surges, any other primary side (line voltage) problem, or attempted repair by anyone other than a facility authorized by Brilliance LED, LLC to repair the product.

**This warranty DOES NOT cover water damage.** This warranty specifically disclaims any damage done to user equipment. In no event shall Brilliance LED, LLC be responsible for removal or re-installation of any product or for the expenses associated thereof. This warranty is given only to the original end user customer and may not be assigned or transferred to anyone else. It is the purchaser's obligation to retain proof of purchase documentation which shows the date of purchase. Brilliance LED, LLC will not warrant any defective product that has had its date of manufacture or other such pertinent information altered or removed.

Brilliance LED, LLC asks its dealer network to take a common sense approach examining any faulty product and to use best judgment for replacement. Brilliance LED, LLC warrants to the purchaser that Brilliance LED Lamps will be free from defect in material and workmanship from the date of purchase. For individual product warranty periods see corresponding product cut sheet available on our website.

**To submit a warranty claim visit [www.brillianceled.com/info](http://www.brillianceled.com/info) and click the "RGA FORM" button to download the Excel document, then send the completed warranty RGA forms to: [warranty@brillianceled.com](mailto:warranty@brillianceled.com)**

Warranty terms are subject to change without notice. Brilliance LED, LLC also reserves the right to modify these warranty terms in order to comply with policy or laws governing warranty issues in states or countries having specific remedies differing or additional to those described within this document.

For current **sales representative** contacts  
in your area, as well as department specific  
**corporate contacts** please visit:

[www.brillianceled.com/contact](http://www.brillianceled.com/contact)

For a list of **stores** near you that stock  
**Brilliance LED products** please visit:

[www.brillianceled.com/purchase](http://www.brillianceled.com/purchase)

7202 E. Cave Creek Rd  
Suite 3A Carefree, AZ 85377  
P.O. Box 2281 Carefree, AZ 85377

T. 800.867.2108

F. 480.575.0078

[www.brillianceled.com](http://www.brillianceled.com)

Please email product orders to:  
[orders@brillianceled.com](mailto:orders@brillianceled.com)

Photo courtesy of Crowell Design, LLC





